

Excellent Integrated System Limited

Stocking Distributor

Click to view price, real time Inventory, Delivery & Lifecycle Information:

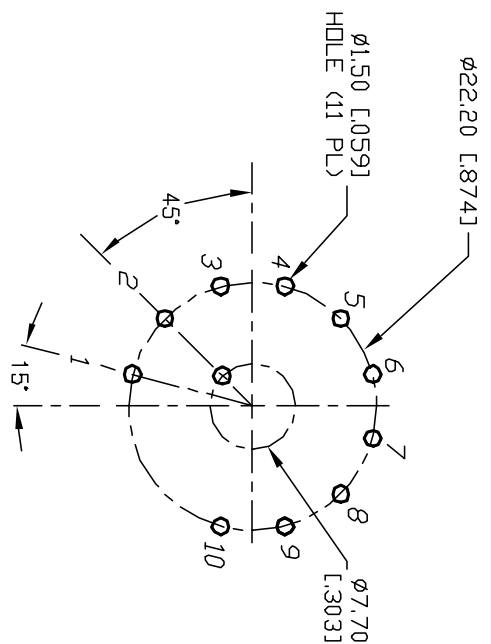
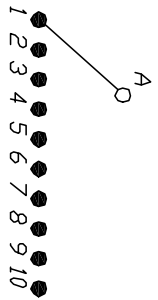
[E-Switch](#)
[KC50A30.001NPS](#)

For any questions, you can email us directly:
sales@integrated-circuit.com

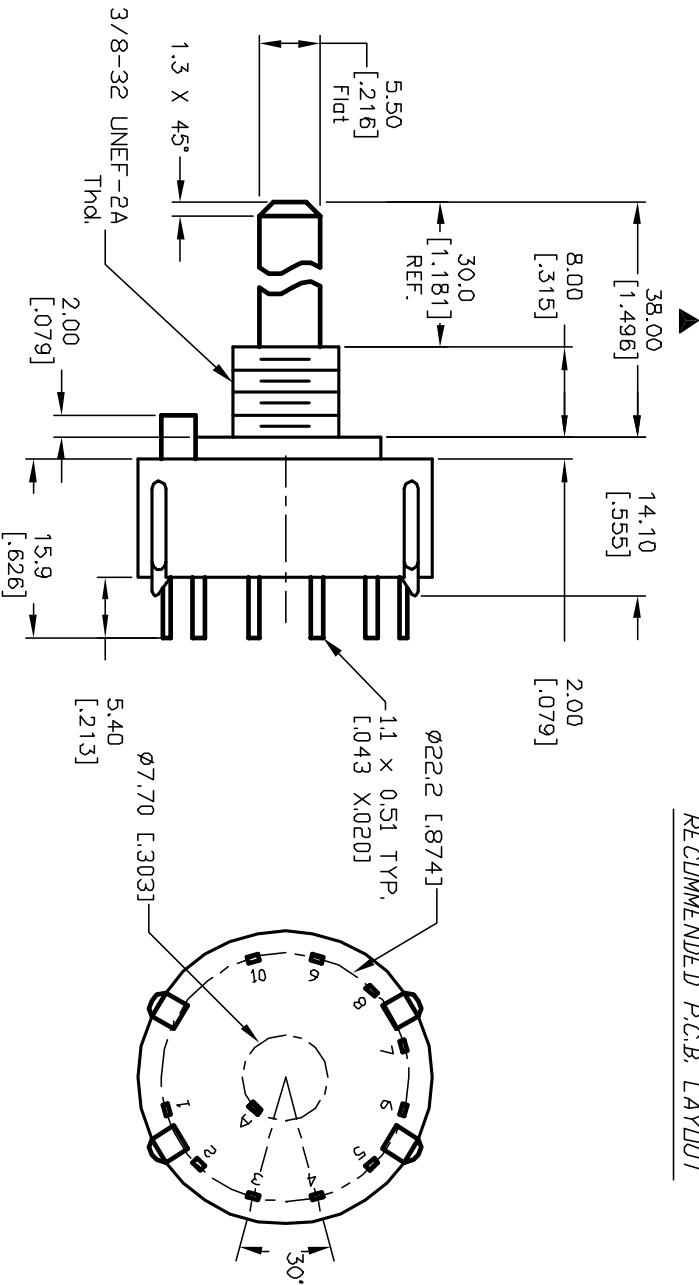
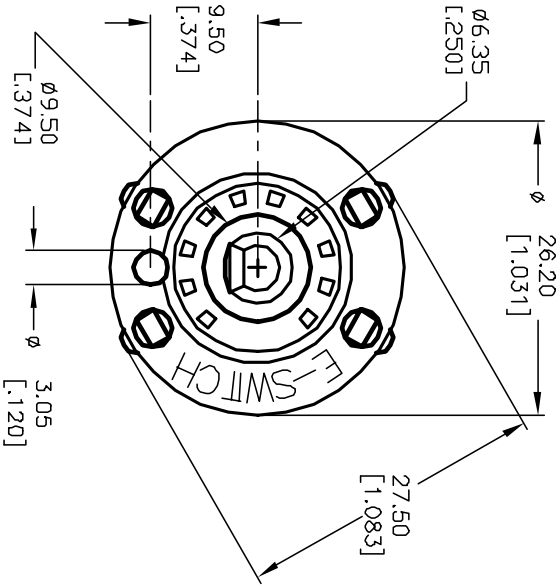
NOTES:

1. ALL DIMENSION IN MM [INCH]
2. GENERAL TOLERANCE: X.X=±0.4
X.XX=±0.25
3. TERM. NOS. FOR REF. ONLY
4. CONTACT RATING SWITCHING: 150mA, 250V AC/DC
350mA, 110V AC/DC
5. CONTACT RATING (NON-SWITCHING) 5A
6. CONTACT MATERIAL:
STANDARD SILVER over COPPER ALLOY
7. OPERATING FORCE: 425±100 CM/STANDARD
8. OPERATING TEMP: -30° to 85°C
9. CIRCUIT SP: 10 POSITIONS, 30° INDEX.
10. DIELECTRIC STRENGTH 1000V RMS min. @ SEA LEVEL
11. DESIGNATE MAJOR DIMENSIONS
12. SUPPLIED LOCK NUT AND WASHER (NOT SHOWN).

CONTACT CONFIGURATION
 Timing: NON SHORTING (BBM)



RECOMMENDED P.C.B. LAYOUT



E-SWITCH®

A	12433	REV. DESC PER NEW CATALOG	9/19/02	CJB
A	12065	RELEASED FOR PRODUCTION	4/15/02	CJB
REV.	ECN No.	DESCRIPTION	DATE	CHKD

TITLE		SCALE		DATE	DR	DWG	REV
KC-50-A-(30.0mm)01-N-P-S		1.5:1		4/15/02	CJB	G530103	B

THE INFORMATION CONTAINED IN THIS DOCUMENT IS PROPRIETARY TO E-SWITCH AND IS NOT TO BE COPIED OR TRANSMITTED