

Excellent Integrated System Limited

Stocking Distributor

Click to view price, real time Inventory, Delivery & Lifecycle Information:

[E-Switch](#)
[KC52A30.001SLS](#)

For any questions, you can email us directly:
sales@integrated-circuit.com

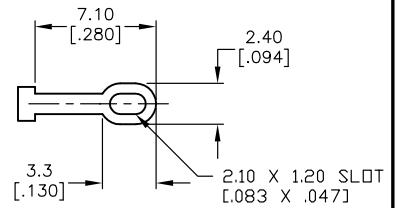
SHEET OF

NOTES:

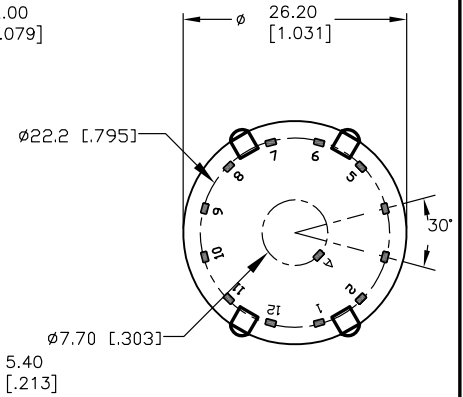
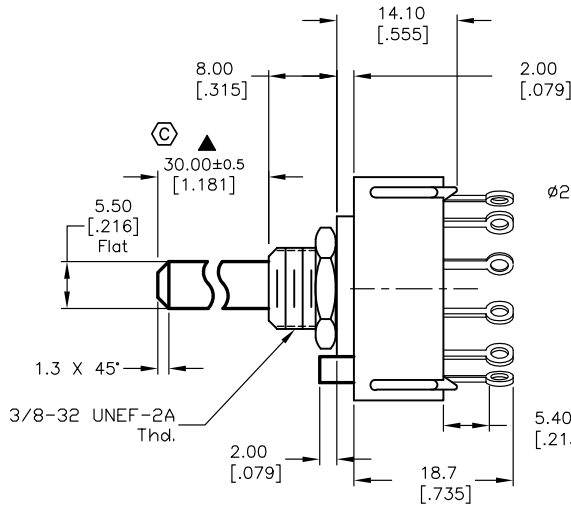
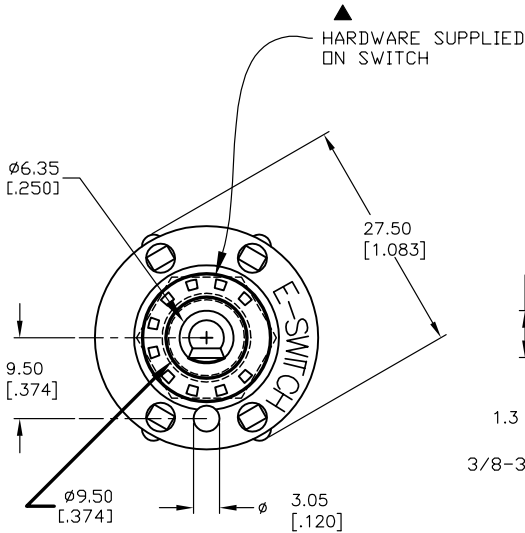
1. ALL DIMENSION IN MM [INCH]
2. GENERAL TOLERANCE: X.X=±0.4
X.XX=±0.25
3. TERM. NOS. FOR REF. ONLY
4. CONTACT RATING SWITCHING: 150mA, 250V AC/DC
350mA, 110V AC/DC
5. CONTACT RATING (NON-SWITCHING) 5A
6. OPERATING FORCE: 425±100 CM/STANDARD
7. OPERATING TEMP: -30° to 85°C
- ▲ 8. CIRCUIT SP: 12 POSITIONS, 30° INDEX.
9. DIELECTRIC STRENGTH 1000V RMS min. @ SEA LEVEL
- ▲ 10. DESIGNATE MAJOR DIMENSIONS
- ▲ 11. HARDWARE SUPPLIED ON SWITCH- SEE BELOW
LOCKWASHER, & HEXNUT



CONTACT CONFIGURATION
Timing: SHORTING



TERMINAL DETAIL
SCALE 2X



<p style="text-align: right;">E-SWITCH®</p>			
C	13720	CORRECT ACTUATOR LENGTH	1/20/04 AR
B	12821	REVISED NOTE 11	3/4/03 CJB
A	112XX	RELEASED FOR PRODUCTION	3/6/01 CJB
REV.	ECN No.	DESCRIPTION	DATE CHKD
<small>THE INFORMATION CONTAINED IN THIS DOCUMENT IS PROPRIETARY TO E-SWITCH AND IS NOT TO BE COPIED OR TRANSFERRED</small>			
SCALE 1.5:1		DATE 3/6/01	DR CJB DWG G510340 REV C
TITLE KC52A30.001SLS			