

## Excellent Integrated System Limited

Stocking Distributor

Click to view price, real time Inventory, Delivery & Lifecycle Information:

[E-Switch](#)  
[KC52A38.002NPS](#)

For any questions, you can email us directly:

[sales@integrated-circuit.com](mailto:sales@integrated-circuit.com)

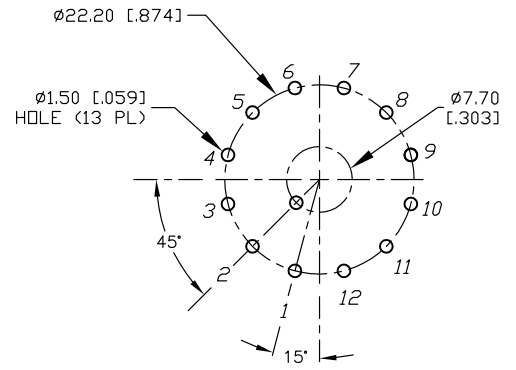
SHEET 1 OF 1

NOTES:

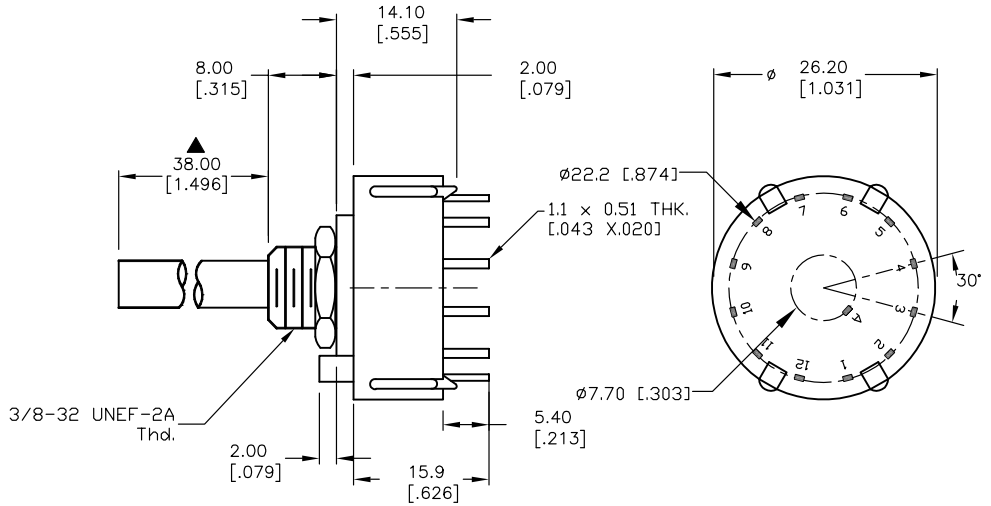
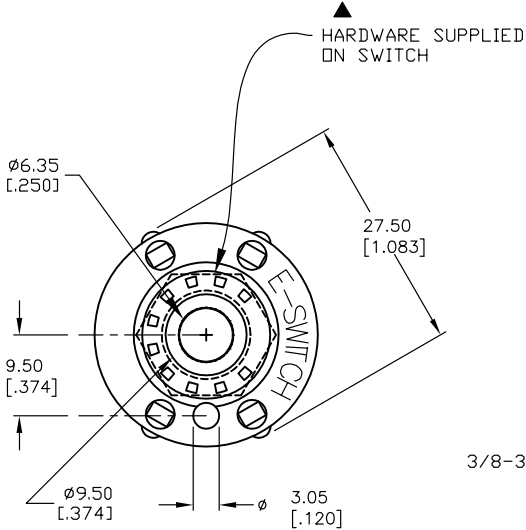
1. ALL DIMENSION IN MM [INCH]
2. GENERAL TOLERANCE: X.X=±0.4  
X.XX=±0.25
3. TERM. NOS. FOR REF. ONLY
4. CONTACT RATING SWITCHING: 150mA, 250V AC/DC  
350mA, 110V AC/DC
5. CONTACT RATING (NON-SWITCHING) 5A
6. OPERATING FORCE: 425±100 CM/STANDARD
7. OPERATING TEMP: -30° to 85°C
- ▲ 8. CIRCUIT SP: 12 POSITIONS, 30° INDEX.
9. DIELECTRIC STRENGTH 1000V RMS min. @ SEA LEVEL
10. ▲ DENOTES CRITICAL PARAMETER.
- ▲ 11. HARDWARE SUPPLIED ON SWITCH— SEE BELOW  
STOP RING, LOCKWASHER, & HEXNUT



CONTACT CONFIGURATION  
Timing; Non-Shorting (BBM)



RECOMMENDED P.C.B. LAYOUT



**E-SWITCH®**

|   |         |                         |         |      |
|---|---------|-------------------------|---------|------|
| A   | 13442   | RELEASED FOR PRODUCTION | 9/10/03 | AR   |
| REV.  | ECN No. | DESCRIPTION             | DATE    | CHKD |
| <small>THE INFORMATION CONTAINED IN THIS DOCUMENT IS PROPRIETARY TO E-SWITCH AND IS NOT TO BE COPIED OR TRANSFERRED</small> |         |                         |         |      |

|                |         |    |         |     |
|----------------|---------|----|---------|-----|
| TITLE          |         |    |         |     |
| KC52A38.002NPS |         |    |         |     |
| SCALE          | DATE    | DR | DWG     | REV |
| 1.5:1          | 9/10/03 | AR | G510348 | A   |