

## Excellent Integrated System Limited

Stocking Distributor

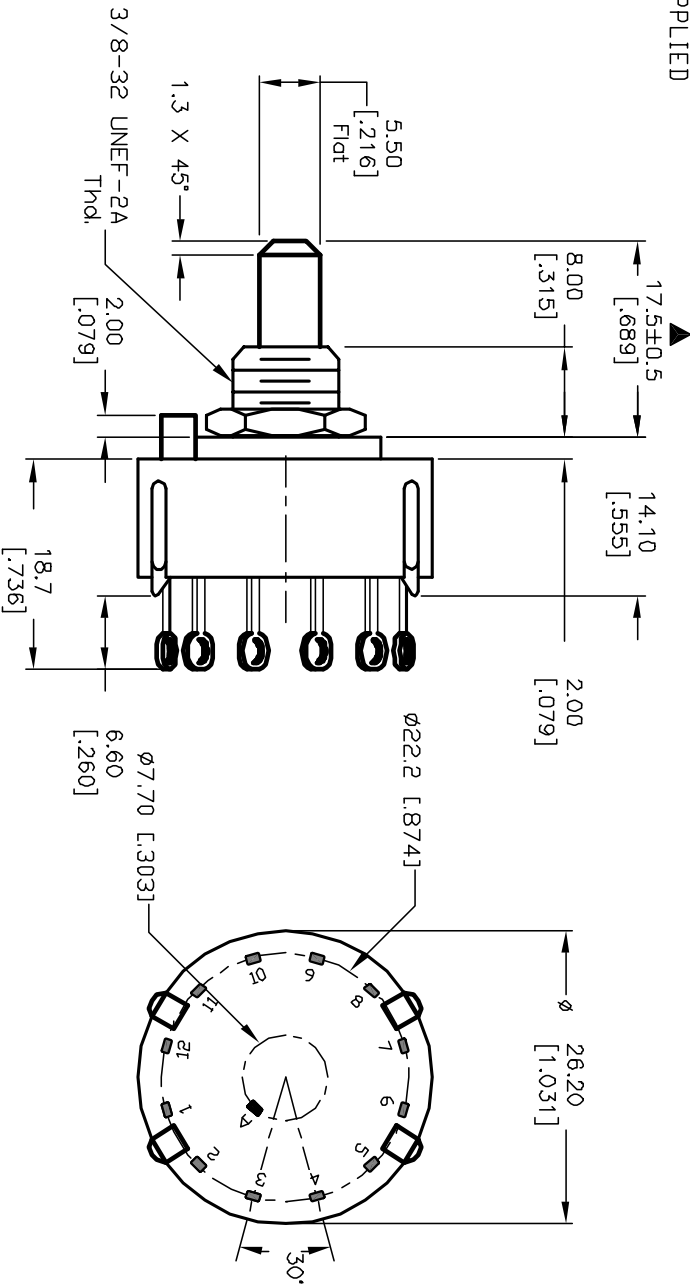
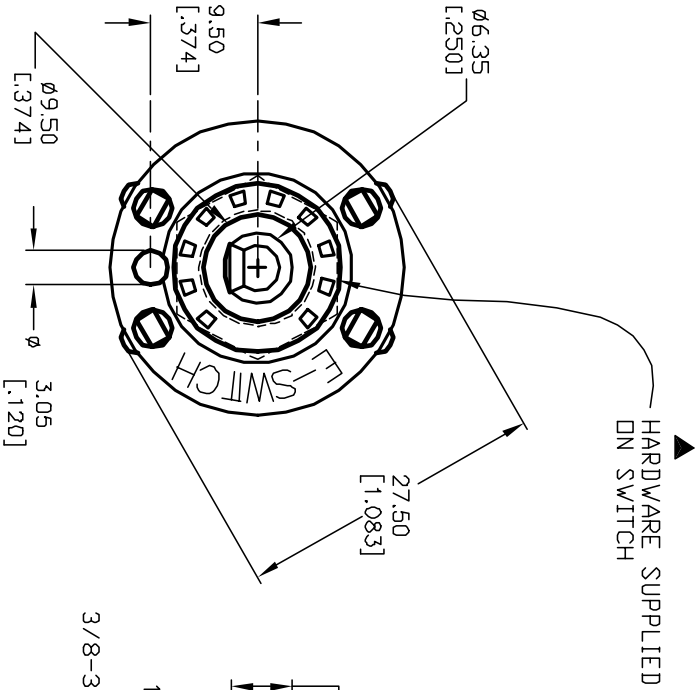
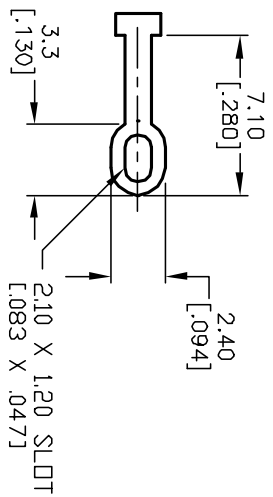
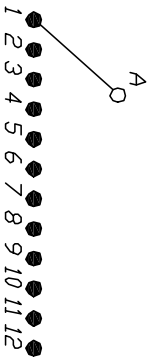
Click to view price, real time Inventory, Delivery & Lifecycle Information:

[E-Switch](#)  
[KC52A9.501NLF](#)

For any questions, you can email us directly:  
[sales@integrated-circuit.com](mailto:sales@integrated-circuit.com)

NOTES:

1. ALL DIMENSION IN MM [INCH]
2. GENERAL TOLERANCE: X.X=±0.4  
X.XX=±0.25
3. TERM. NOS. FOR REF. ONLY
4. CONTACT RATING SWITCHING: 150mA, 250V AC/DC  
350mA, 110V AC/DC
5. CONTACT MATERIAL: GOLD FLASH over Silver Plate  
OVER COPPER ALLOY
6. OPERATING FORCE: 425±100 CM/STANDARD
7. OPERATING TEMP: -30° to 85°C
8. CIRCUIT DP: 12 POSITIONS, 30° INDEX.
9. DIELECTRIC STRENGTH: 1000V RMS min.@Sea Level
10. DESIGNATE MAJOR DIMENSIONS
11. HARDWARE SUPPLIED ON SWITCH - SEE BELOW  
STOPRING, LOCKWASHER, & HEXNUT



C	12831	REVISED NOTE 11	3/3/03	CJB
B	12238	REV PART DESC. PER CATALOG	6/13/02	CJB
A	12072	RELEASED FOR PRODUCTION	4/16/02	CJB
REV.	ECN No.	DESCRIPTION	DATE	CHKD

TITLE		DATE		DR	DWG	REV
KC-52-A (9.5mm)-01-N-L-F		4/16/02		CJB	G510241	C
SCALE		DATE		DR	DWG	REV
1.5:1		4/16/02		CJB	G510241	C

**E-SWITCH®**

THE INFORMATION CONTAINED IN THIS DOCUMENT IS PROPRIETARY TO E-SWITCH AND IS NOT TO BE COPIED OR TRANSMITTED