

Excellent Integrated System Limited

Stocking Distributor

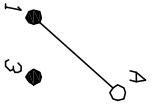
Click to view price, real time Inventory, Delivery & Lifecycle Information:

[E-Switch](#)
[KC53A30.001NLS](#)

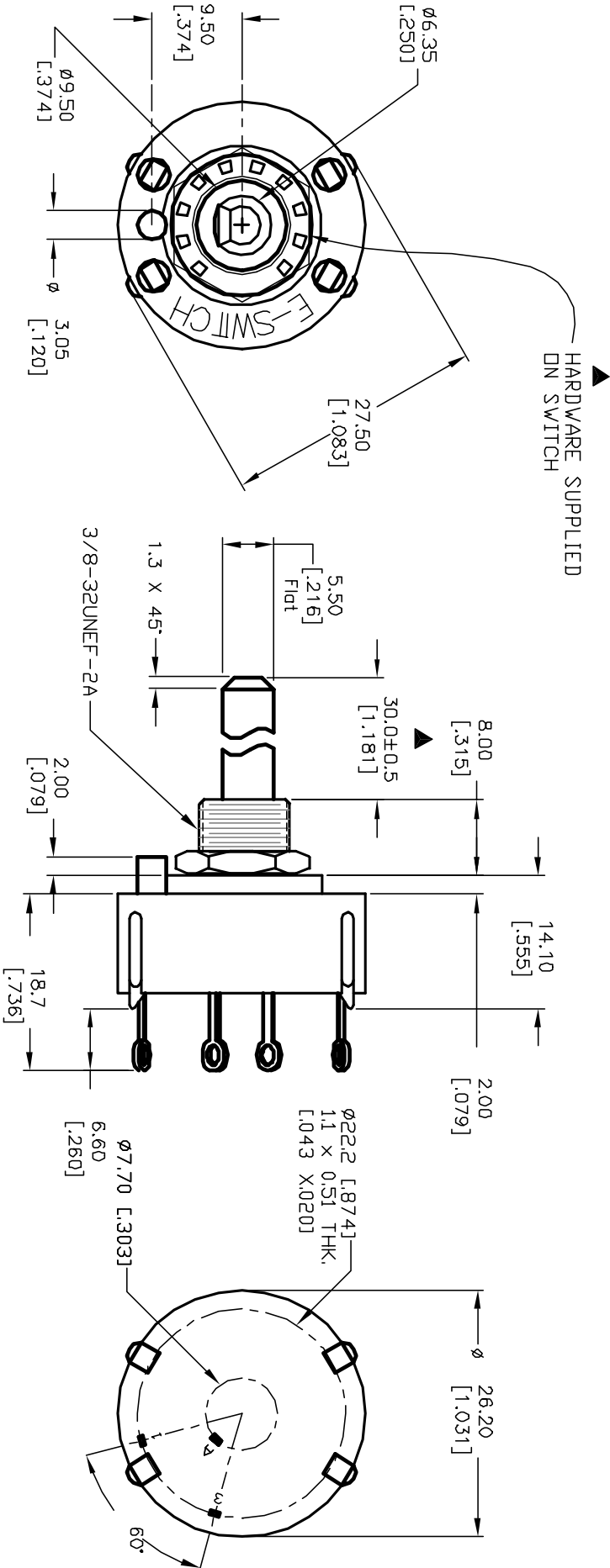
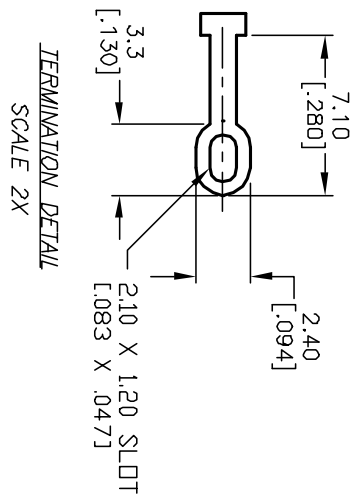
For any questions, you can email us directly:

sales@integrated-circuit.com

- NOTES:
1. ALL DIMENSION IN MM [INCH]
 2. GENERAL TOLERANCE: X.X=±0.4 X.XX=±0.25
 3. TERM. NOS. FOR REF. ONLY
 4. CONTACT RATING SWITCHING: 150mA, 250V AC/DC 350mA, 110V AC/DC
 5. CONTACT RATING (NON-SWITCHING) 5A
 6. OPERATING FORCE: 425±100 CM/STANDARD
 7. OPERATING TEMP: -30° to 85°C
 8. CIRCUIT SP: 2 POSITIONS, 60° INDEX.
 9. DIELECTRIC STRENGTH 1000V RMS min @ SEA LEVEL
 10. DESIGNATE MAJOR DIMENSIONS
 11. HARDWARE SUPPLIED ON SWITCH - SEE BELOW
 STOP RING, LOCKWASHER, & HEXNUT



CONTACT CONFIGURATION
 TIMING: (BBM) Non-Shorting



E-SWITCH®

B				
A	12855	RELEASED FOR PRODUCTION	2/27/03	CJB
REV.	ECN No.	DESCRIPTION	DATE	CHKD

TITLE		KC-53-A-(30.0mm) 01-N-L-S		
SCALE	DATE	DR	DWG	REV
1.5:1	2/27/03	CJB	G527551	A

THE INFORMATION CONTAINED IN THIS DOCUMENT IS PROPRIETARY TO E-SWITCH AND IS NOT TO BE COPIED OR TRANSMITTED