

## Excellent Integrated System Limited

Stocking Distributor

Click to view price, real time Inventory, Delivery & Lifecycle Information:

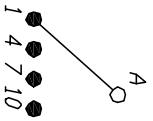
[E-Switch](#)  
[KC58A30.001NLF](#)

For any questions, you can email us directly:

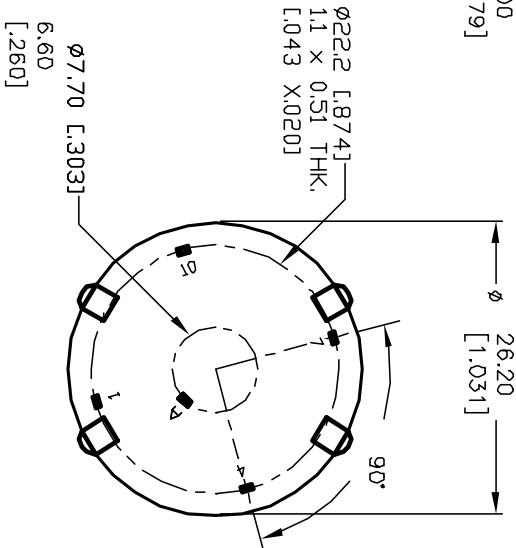
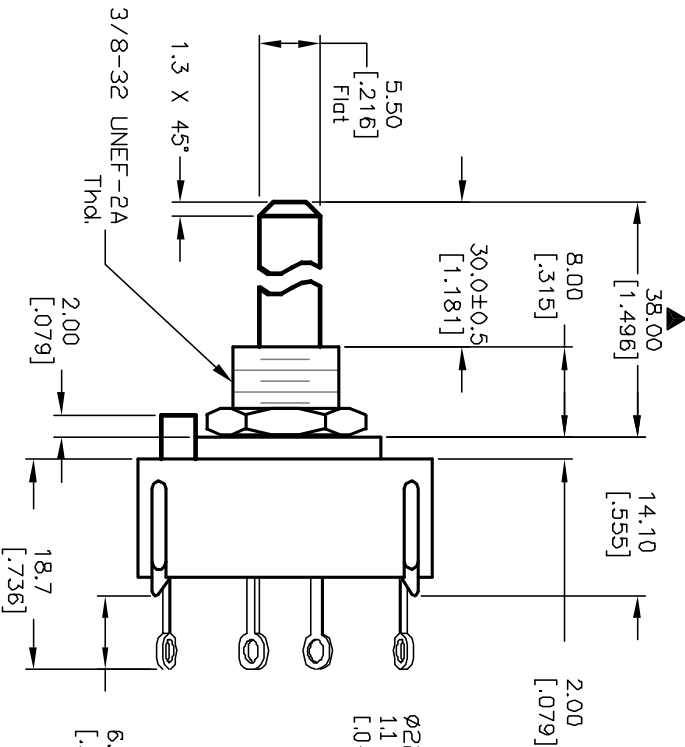
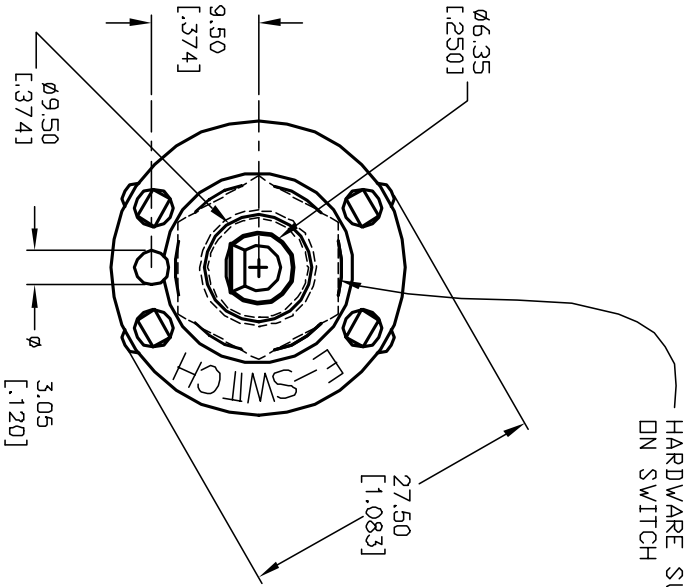
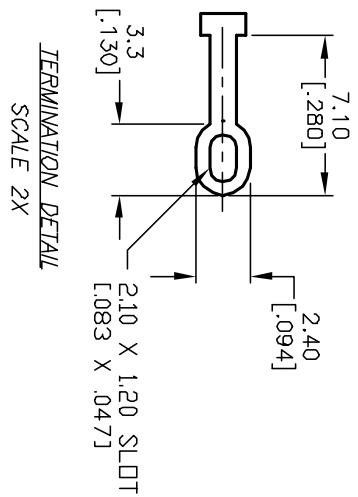
[sales@integrated-circuit.com](mailto:sales@integrated-circuit.com)

NOTES:

1. ALL DIMENSION IN MM [INCH]
2. GENERAL TOLERANCE: X.X=±0.4  
X.XX=±0.25
3. CONTACT RATING SWITCHING: 150mA, 250V AC/DC  
350mA, 110V AC/DC
4. CONTACT RATING (NON-SWITCHING) 5A
5. CONTACT: GOLD FLASH over Silver plated.
6. OPERATING FORCE: 425±100 CM/STANDARD
7. OPERATING TEMP: -30° to 85°C
8. CIRCUIT SP: 4 POSITIONS, 90° INDEX.
9. DIELECTRIC STRENGTH 1000V RMS min @ SEA LEVEL
10. DESIGNATE MAJOR DIMENSIONS
11. HARDWARE SUPPLIED ON SWITCH - SEE BELOW  
STOP RING, LOCKWASHER, & LOCKNUT



CONTACT CONFIGURATION  
Timing: (BBM) Non-Shorting



REV.	ECN No.	DESCRIPTION	DATE	CHKD
A	12821	RELEASED	2/25/03	CJB

TITLE	SCALE	DATE	DR	DWG	REV
KC-58-A (30.0mm)-01-N-L-F	1.5:1	2/25/03	CJB	G510986	A

**E-SWITCH®**

THE INFORMATION CONTAINED IN THIS DOCUMENT IS PROPRIETARY TO E-SWITCH AND IS NOT TO BE COPIED OR TRANSMITTED