

## Excellent Integrated System Limited

Stocking Distributor

Click to view price, real time Inventory, Delivery & Lifecycle Information:

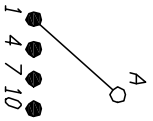
[E-Switch](#)  
[KC58A9.501NLS](#)

For any questions, you can email us directly:

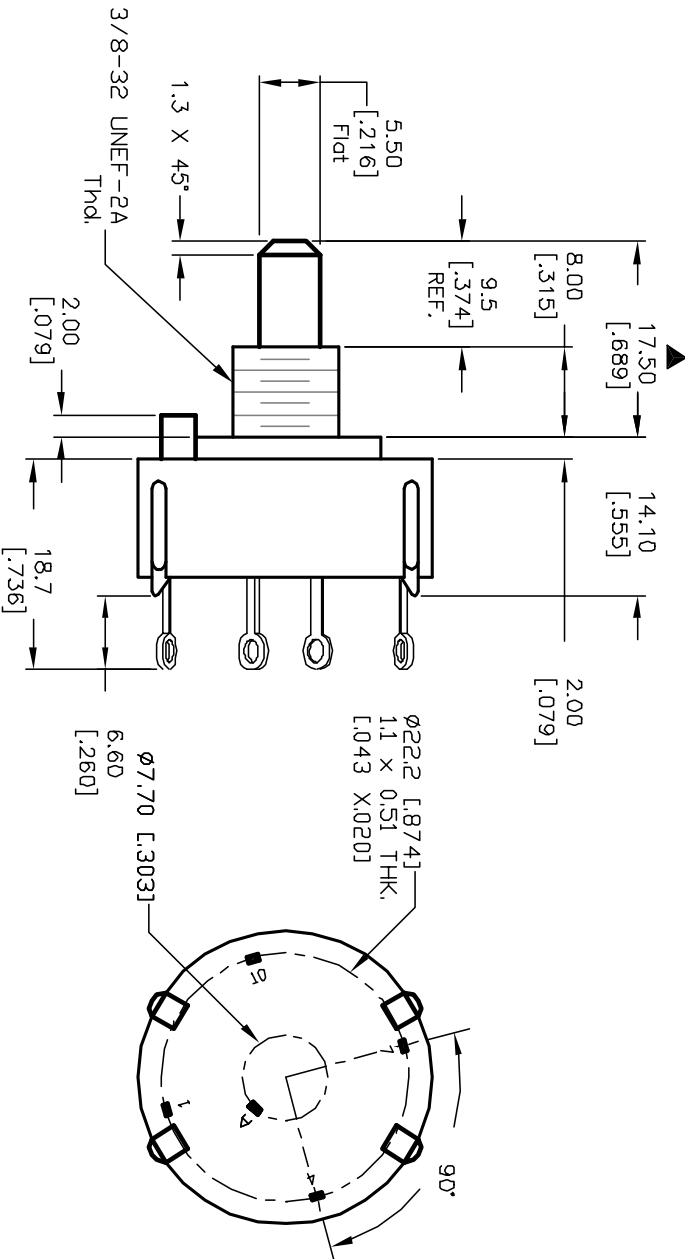
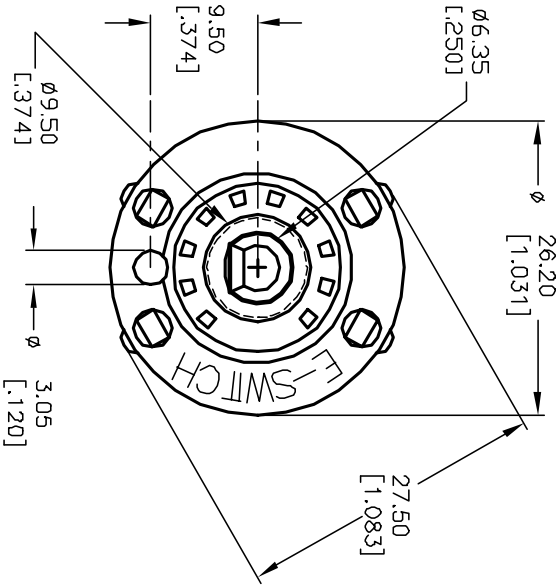
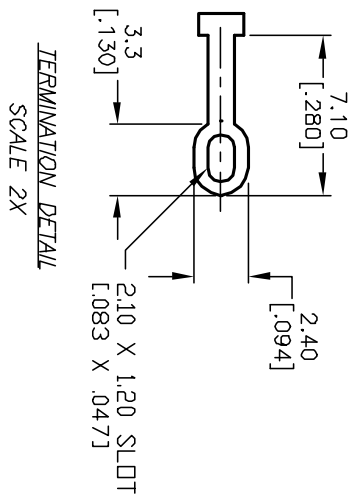
[sales@integrated-circuit.com](mailto:sales@integrated-circuit.com)

NOTES:

1. ALL DIMENSION IN MM [INCH]
2. GENERAL TOLERANCE: X.X=±0.4  
X.XX=±0.25
3. TERM. NOS. FOR REF. ONLY
4. CONTACT RATING SWITCHING: 150mA, 250V AC/DC  
350mA, 110V AC/DC
5. CONTACT RATING (NON-SWITCHING) 5A
6. OPERATING FORCE: 425±100 CM/STANDARD
7. OPERATING TEMP: -30° to 85°C
- ▲ 8. CIRCUIT SP: 4 POSITIONS, 90° INDEX.
- ▲ 9. DIELECTRIC STRENGTH 1000V RMS min. @ SEA LEVEL
- ▲ 10. DESIGNATE MAJOR DIMENSIONS
- ▲ 11. HARDWARE SUPPLIED ON SWITCH - SEE BELOW  
STOP RING, LOCKWASHER, & LOCKNUT



CONTACT CONFIGURATION  
Timing: (BBM) Non-Shorting



D	12821	REVISED NOTE 11	2/25/03	CJB
C	12434	REV DESC. PER NEW CATALOG	9/19/02	CJB
B	11872	REVISED ACTUATOR LENGTH	12/19/01	CJB
REV.	ECN No.	DESCRIPTION	DATE	CHKD

TITLE		SCALE		DATE		DR		DWG		REV	
KC-58-A (9.5mm)-01-N-L-S		1.5:1		3/12/01		CJB		G510990		D	

**E-SWITCH®**

THE INFORMATION CONTAINED IN THIS DOCUMENT IS PROPRIETARY TO E-SWITCH AND IS NOT TO BE COPIED OR TRANSMITTED