

## **Excellent Integrated System Limited**

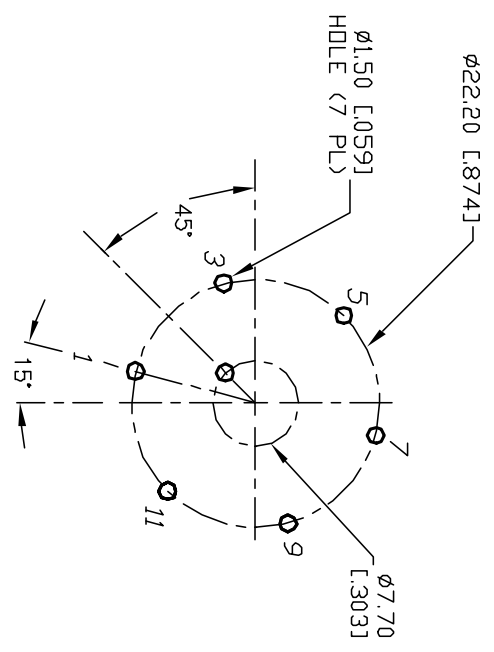
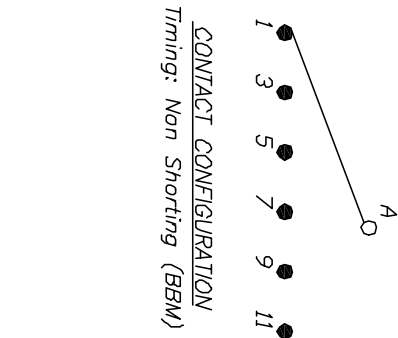
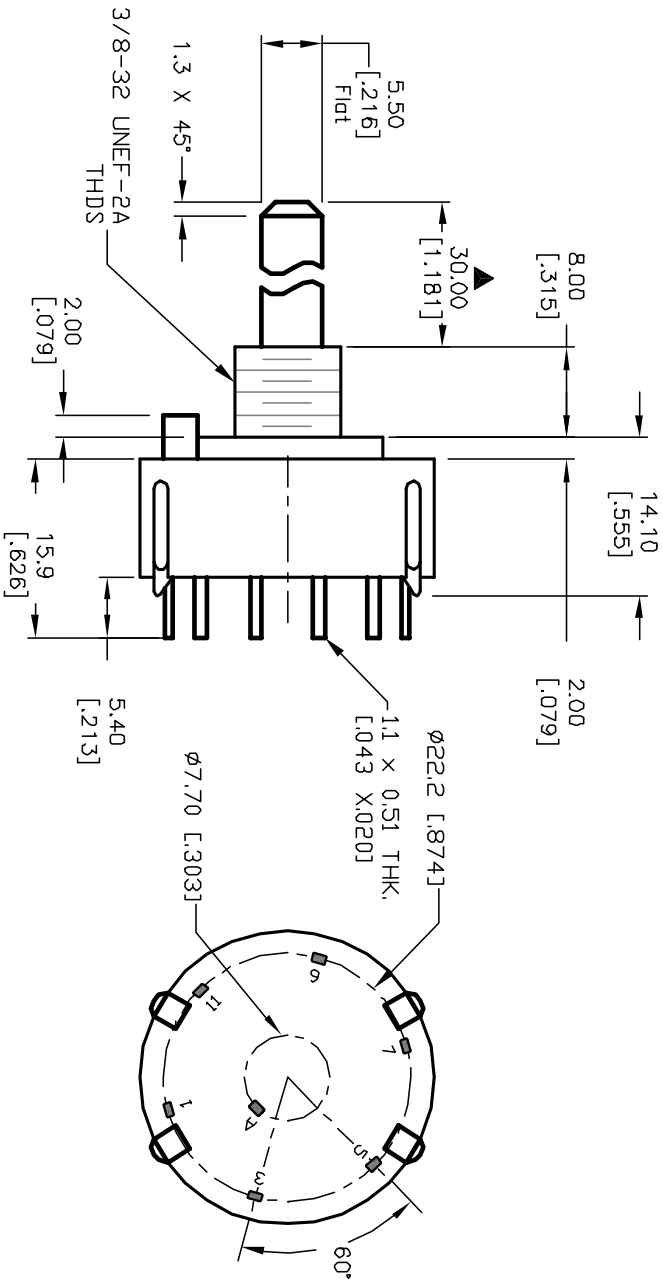
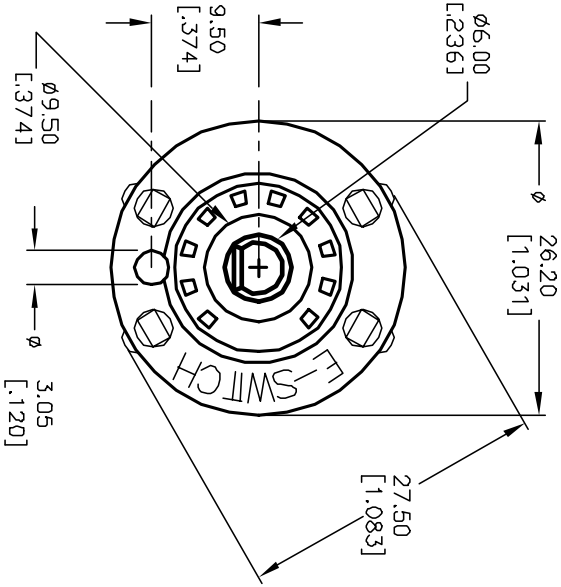
Stocking Distributor

Click to view price, real time Inventory, Delivery & Lifecycle Information:

[E-Switch](#)  
[KC60A30.001NPF](#)

For any questions, you can email us directly:  
[sales@integrated-circuit.com](mailto:sales@integrated-circuit.com)

- NOTES:
1. ALL DIMENSION IN MM [INCH]
  2. GENERAL TOLERANCE: X.X=±0.4 X.XX=±0.25
  3. TERM. NOS. FOR REF. ONLY
  4. CONTACT RATING SWITCHING: 150mA, 250V AC/DC 350mA, 110V AC/DC
  5. CONTACT RATING (NON-SWITCHING) 5A
  6. CONTACT MATERIAL: GOLD FLASH over SILVER PLATE over COPPER ALLOY.
  7. OPERATING FORCE: 425±100 CM/STANDARD
  8. OPERATING TEMP: -30° to 85°C
  9. CIRCUIT SP: 6 POSITIONS, 60° INDEX.
  10. DIELECTRIC STRENGTH 1000V RMS min. @ SEA LEVEL
  11. DESIGNATE MAJOR DIMENSIONS
  12. LOCK NUT AND WASHER NOT SHOWN.



**E-SWITCH®**

REV.	A	12161	ECN No.	RELEASED FOR PRODUCTION	5/20/02	DATE	CJB	CHKD
				DESCRIPTION				

TITLE	KC-60-A (30.0mm) 01-N-P-F		
SCALE	1.5:1	DATE	5/20/02
DR	CJB	DWG	G510780
REV	A		

THE INFORMATION CONTAINED IN THIS DOCUMENT IS PROPRIETARY TO E-SWITCH AND IS NOT TO BE COPIED OR TRANSMITTED