

## Excellent Integrated System Limited

Stocking Distributor

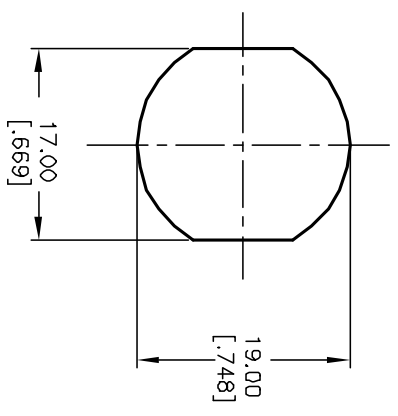
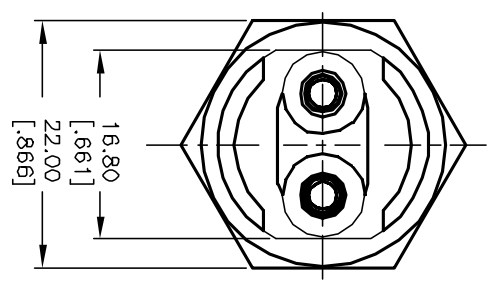
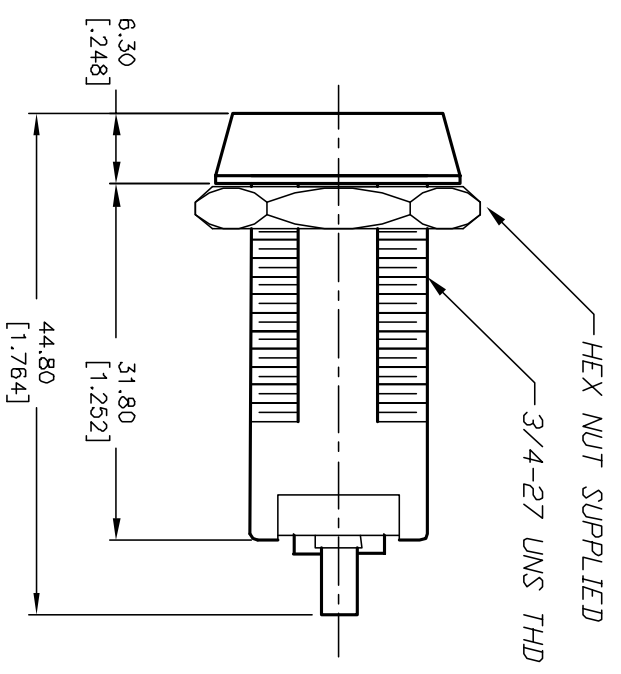
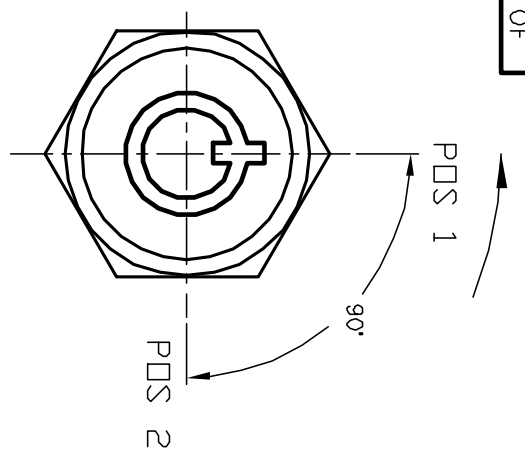
Click to view price, real time Inventory, Delivery & Lifecycle Information:

[E-Switch](#)  
[KO113C10001](#)

For any questions, you can email us directly:

[sales@integrated-circuit.com](mailto:sales@integrated-circuit.com)

SHEET OF



NOTES:

1. ALL DIMENSIONS IN MM [INCH]
2. GENERAL TOLERANCE: X.X=±0.4 X.XX=±0.25
3. TERM. NOS. FDR REFERENCE ONLY.
4. RATING: 4A @125VAC, 2A @250VAC
5. CONTACT RESISTANCE: 10mILLI-OHMS
6. DIELECTRIC STRENGTH: 1500 VAC-1Minute
7. INSULATION RESISTANCE: 200Mega-OHMS
8. MATERIALS:

HOUSING: ZINC ALLOY DIE CAST  
 CYLINDER: ZINC ALLOY W/CHROME PLATING  
 TERMINAL AND CONTACTS: SILVER PLATED  
 ▲ KEYS (2) CODE 10001: TUBULAR STEEL, NICKEL PLATED

LEGEND

- =OFF POSITION
- =INDICATES KEY PULL
- X =INDICATES NO KEY PULL
- ( ) =MENTINARY

CIRCUIT: SPST  
CONTACT CONFIGURATION

SWITCH FUNCTION	CONNECTED TERM#
POS 1	POS 2
OFF	(DN)

REV.	ECN No.	DESCRIPTION	DATE	CHKD
A	11738	RELEASED FOR PRODUCTION	10/15/01	CJB

TITLE	SCALE	DATE	DR	DWG	REV
K0113C-10001	1.5:1	10/15/01	CJB	K200103	A

**E-SWITCH®**

THE INFORMATION CONTAINED IN THIS DOCUMENT IS PROPRIETARY TO E-SWITCH AND IS NOT TO BE COPIED OR TRANSMITTED