

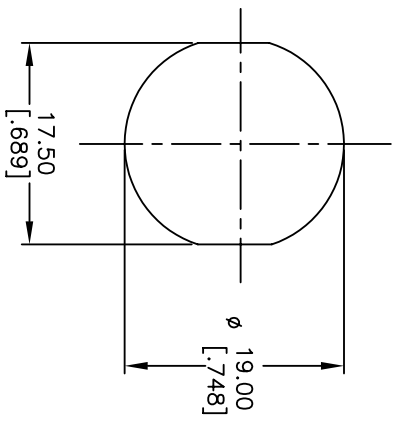
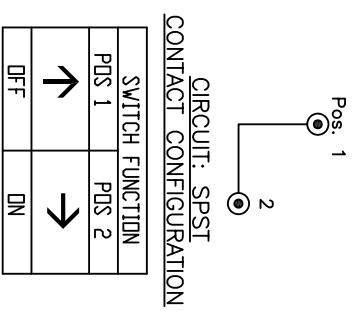
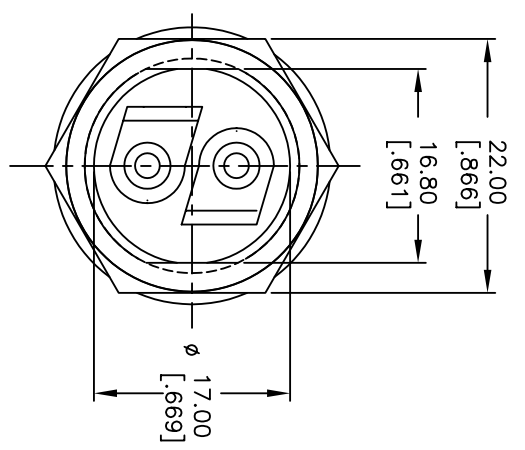
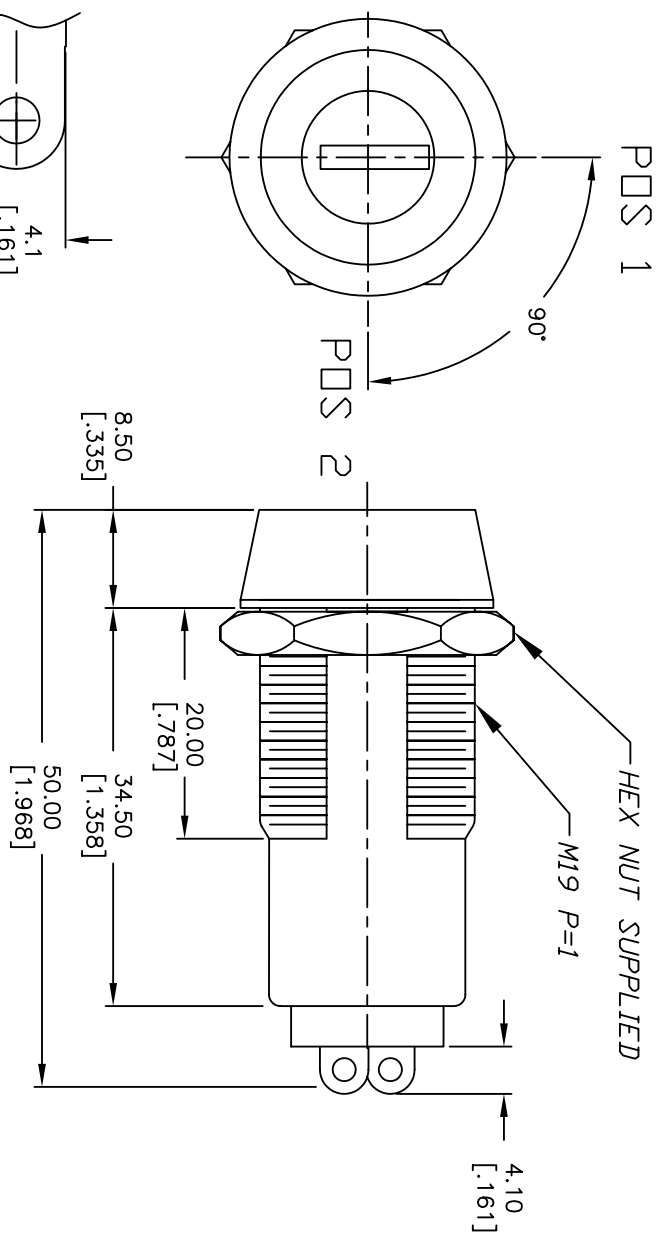
## Excellent Integrated System Limited

Stocking Distributor

Click to view price, real time Inventory, Delivery & Lifecycle Information:

[E-Switch](#)  
[KO119B7325](#)

For any questions, you can email us directly:  
[sales@integrated-circuit.com](mailto:sales@integrated-circuit.com)



RECOMMENDED PANEL CUTOUT

- NOTES:
1. ALL DIMENSIONS IN MM [INCH]
  2. GENERAL TOLERANCE: X.X=±0.4 X.XX=±0.25
  3. TERM. NOS. FOR REFERENCE ONLY.
  4. RATING: 4A @125VAC, 2A @250VAC
  5. CONTACT RESISTANCE: 10mILLI-OHMS
  6. DIELECTRIC STRENGTH: 1500 VAC-1Minute
  7. INSULATION RESISTANCE: 500 Mega-OHMS
  8. MATERIALS:  
HOUSING: ZINC ALLOY DIE CAST  
CYLINDER: ZINC ALLOY W/CHROME PLATING  
TERMINAL AND CONTACTS: SILVER PLATED  
TUMBLER: 5 DISC MECHANISM W/DUST SHUTTER  
KEYS 7325 (2): BRASS W/NICKEL PLATING  
DOUBLE CUT REVERSIBLE
  9. 2002/95/EC (ROHS) COMPLIANT

LEGEND

- = INDICATE NO KEY PULL
- ⊙ = INDICATES KEY PULL POSSIBLE

REV.	ECN No.	DESCRIPTION	DATE	CHKD
C	16880	KEY PULL CORRECTED	1/17/2007	TN
B	16530	KEY PULL CORRECTED	10/16/2006	TN
A	11746	RELEASED FOR PRODUCTION	10/17/01	CJB

TITLE	SCALE	DATE	DR	DWG	REV
KO119B-7325	1.5:1	1/17/2007	TN	K200119	C

THE INFORMATION CONTAINED IN THIS DOCUMENT IS PROPRIETARY TO E-SWITCH AND IS NOT TO BE COPIED OR TRANSMITTED

