

Excellent Integrated System Limited

Stocking Distributor

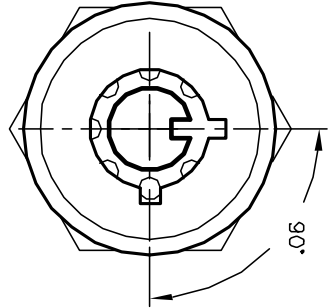
Click to view price, real time Inventory, Delivery & Lifecycle Information:

[E-Switch](#)
[KO124C10001](#)

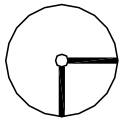
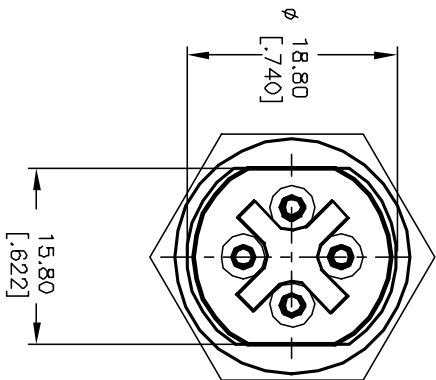
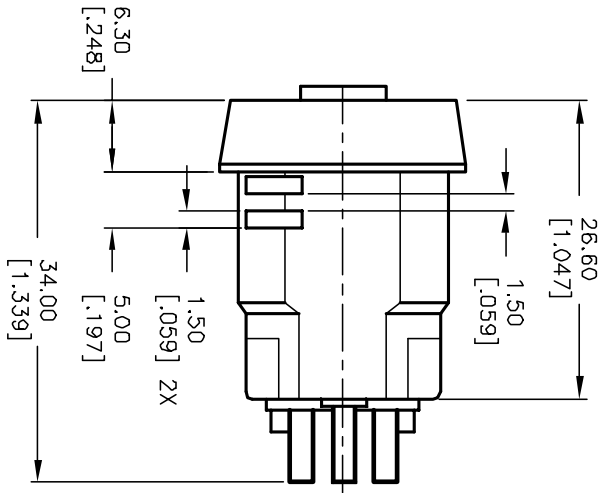
For any questions, you can email us directly:

sales@integrated-circuit.com

POS 1



POS 2



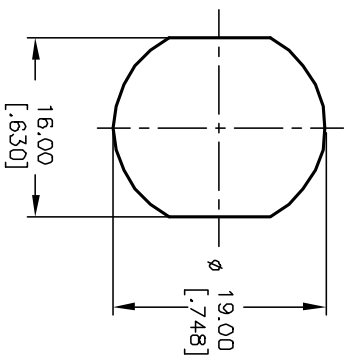
CIRCUIT: SPDT
CONTACT CONFIGURATION

SWITCH FUNCTION	POS 1	POS 2
↕	↕	↔
DN	DN	DN

LEGEND

- = OFF POSITION
- = INDICATES KEY PULL
- ⊗ = INDICATES NO KEY PULL

RECOMMENDED PANEL CUTOUT



NOTES:

1. ALL DIMENSIONS IN MM [INCH]
2. GENERAL TOLERANCE: X.X=±0.4 X.XX=±0.25
3. TERM. NOS. FDR REFERENCE ONLY.
4. RATING: 2A @125VAC, 1A @250VAC.
5. CONTACT RESISTANCE: 10MILLI-OHMS max.
6. DIELECTRIC STRENGTH: 1000 VAC-1Minute
7. INSULATION RESISTANCE: 200Mega OHMS min.
8. MATERIALS:

HOUSING: ZINC ALLOY DIE CAST, SATINE CHROME PLATING
CYLINDER: ZINC ALLOY W/SATIN CHROME PLATING
TERMINAL AND CONTACTS: SILVER PLATED
KEYS (2) KEY CODE 10001:
TUBULAR STEEL, NICKLE PLATING

REV.	ECN No.	DESCRIPTION	DATE	CHKD	CJB
A	11737	RELEASED FOR PRODUCTION	10/12/01		CJB

THE INFORMATION CONTAINED IN THIS DOCUMENT IS PROPRIETARY TO E-SWITCH AND IS NOT TO BE COPIED OR TRANSMITTED

E-SWITCH®

KO124C-10001

TITLE	SCALE	DATE	DR	DWG	REV
	1.5:1	10/12/01	CJB	K500105	A