

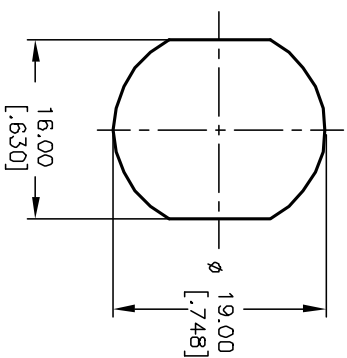
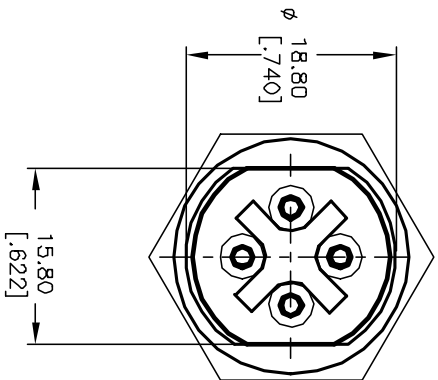
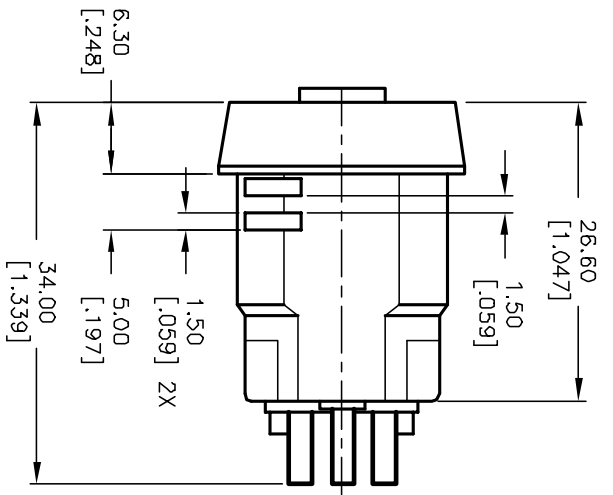
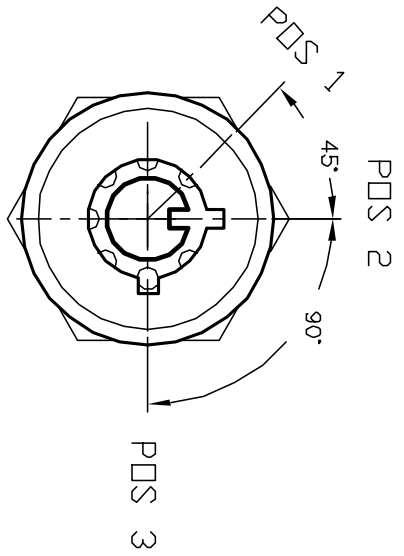
Excellent Integrated System Limited

Stocking Distributor

Click to view price, real time Inventory, Delivery & Lifecycle Information:

[E-Switch](#)
[KO124D10001](#)

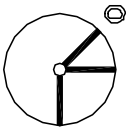
For any questions, you can email us directly:
sales@integrated-circuit.com



RECOMMENDED PANEL CUTOUT

CIRCUIT: SPDT
CONTACT CONFIGURATION

POS 1	POS 2	POS 3
↙	↕	↘
OFF	DN	DN



LEGEND
 ○ = OFF POSITION
 ■ = INDICATES KEY PULL
 ✕ = INDICATES NO KEY PULL

- NOTES:
1. ALL DIMENSIONS IN MM [INCH]
 2. GENERAL TOLERANCE: X.X=±0.4 X.XX=±0.25
 3. TERM. NOS. FDR REFERENCE ONLY.
 4. RATING: 2A @125VAC, 1A @250VAC.
 5. CONTACT RESISTANCE: 10MILLI-OHMS max.
 6. DIELECTRIC STRENGTH: 1000 VAC-1Minute
 7. INSULATION RESISTANCE: 200Mega OHMS min.
 8. MATERIALS:

HOUSING: ZINC ALLOY DIE CAST, SATINE CHROME PLATING
 CYLINDER: ZINC ALLOY W/SATIN CHROME PLATING
 TERMINAL AND CONTACTS: SILVER PLATED
 KEYS (2) KEY CODE 10001:
 TUBULAR STEEL, NICKLE PLATING

REV. A	ECN No. 11737	RELEASED FOR PRODUCTION	DATE 10/12/01	CHKD CJB
		DESCRIPTION		

TITLE	K0124D-10001			
SCALE	1.5:1	DATE	10/12/01	DR CJB
				DWG K500106
				REV A

E-SWITCH®

THE INFORMATION CONTAINED IN THIS DOCUMENT IS PROPRIETARY TO E-SWITCH AND IS NOT TO BE COPIED OR TRANSMITTED