

## Excellent Integrated System Limited

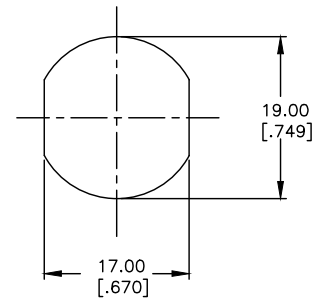
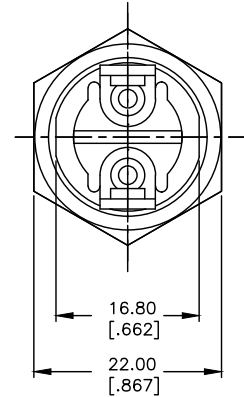
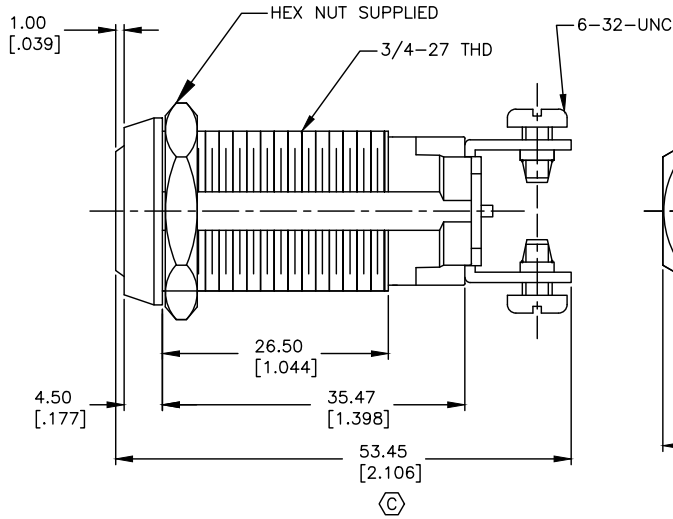
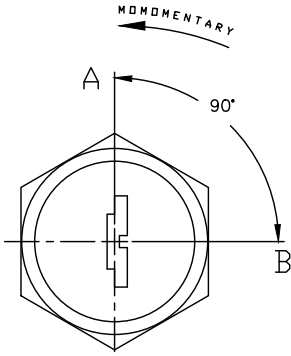
Stocking Distributor

Click to view price, real time Inventory, Delivery & Lifecycle Information:

[E-Switch](#)  
[KO128E2007](#)

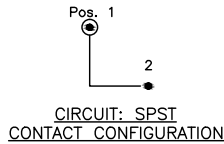
For any questions, you can email us directly:  
[sales@integrated-circuit.com](mailto:sales@integrated-circuit.com)

SHEET OF



NOTES:

1. ALL DIMENSIONS IN MM [INCH]
2. GENERAL TOLERANCE: X.X=±0.4  
X.XX=±0.25
3. TERM. NOS. FOR REFERENCE ONLY.
4. RATING: 4A @125VAC, 2A @250VAC
5. CONTACT RESISTANCE: 10mILLI-OHMS
6. DIELECTRIC STRENGTH: 1500 VAC-1Minute
7. INSULATION RESISTANCE: 200 Mega-OHMS
8. MATERIALS:  
 HOUSING: ZINC ALLOY DIE CAST  
 CYLINDER: ZINC ALLOY W/CHROME PLATE  
 CONTACTS: SILVER PLATE  
 CRISS CROSS TUMBLERS. (11 BLADE)  
 DOUBLE BITTED KEYS (2) STAMPED 2007



CIRCUIT: SPST  
CONTACT CONFIGURATION

SWITCH FUNCTION	
POS 1	POS 2
↑	→
OFF	(ON)

( ) = MOMENTARY

LEGEND

- = INDICATE NO KEY PULL
- ⊙ = INDICATES KEY PULL POSSIBLE

RECOMMENDED PANEL CUTOUT

REV.	ECN No.	DESCRIPTION	DATE	CHKD
D	17838	CHANGED THREAD LENGTH	11/1/07	BF
C	13991	OVERALL LENGTH	5/6/04	AR
B	12872	REMOVE TERM /NOTE 8	3/4/03	CJB

THE INFORMATION CONTAINED IN THIS DOCUMENT IS PROPRIETARY TO E-SWITCH AND IS NOT TO BE COPIED OR TRANSFERRED

<b>E-SWITCH®</b>				
TITLE		K0128E-2007		
SCALE	DATE	DR	DWG	REV
1.5:1	11/1/07	BF	K200205	D