

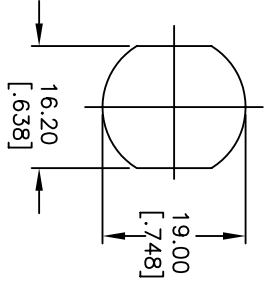
Excellent Integrated System Limited

Stocking Distributor

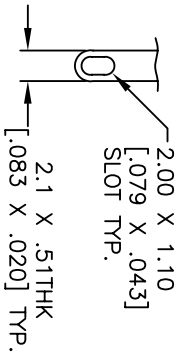
Click to view price, real time Inventory, Delivery & Lifecycle Information:

[E-Switch](#)
[KO129FA126](#)

For any questions, you can email us directly:
sales@integrated-circuit.com



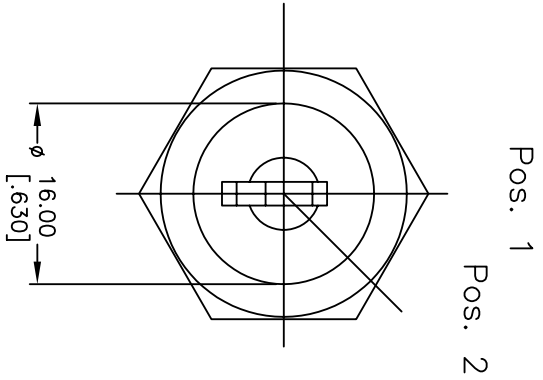
RECOMMENDED PANEL LAYOUT



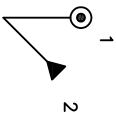
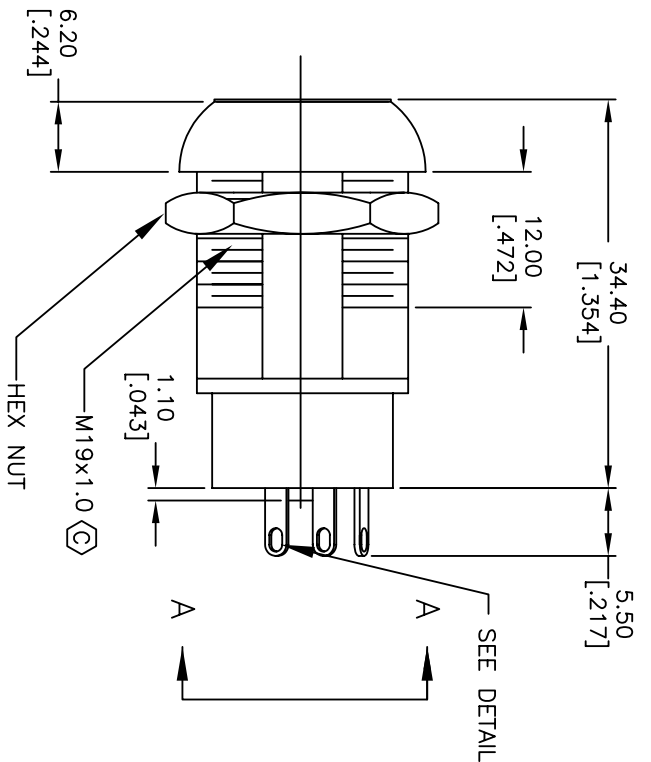
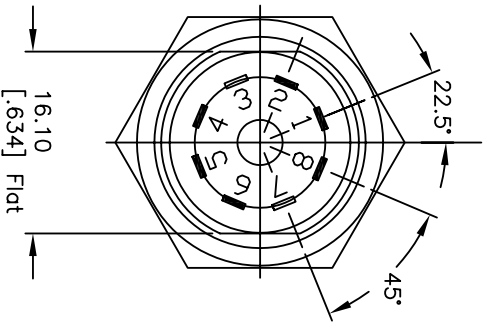
TERMINAL DETAIL
SCALE 2X

NOTES:

1. ALL DIMENSIONS IN MM [INCH]
2. GENERAL TOLERANCE: X.X=±0.4
X.XX=±0.25
3. TERM. NOS. FOR REF. ONLY
4. CONTACT RATING: 4A @125VAC/28VDC, 2A @250VAC
5. DIELECTRIC STRENGTH: 1KV RMS min. at sea level
6. ELECTRICAL LIFE: 10,000 make-and-break cycles at full load.
7. MATERIALS:
CONTACTS: Silver Plated CU (Q Contact material)
TERMINALS: Silver Plated Cu (Q Contact material)
MOUNTING NUT: Nickel Plated zinc alloy
CONTACT SPRING: Piano Wire
KEYS: (QTY. 2) Brass with code no. A126
LOCK: Bright Ni plated zinc alloy with NI facing
TUMBLER Mechanism: 4-disc tumbler cylinder.



Pos. 1 Ref.



CIRCUIT: DP (45° INDEXING)
CONTACT CONFIGURATION

SWITCH FUNCTION	
CONNECTED TERMINAL #	POS.
POS. 1	POS. 2
8-1; 4-5	1-2; 5-6

- LEGEND
- =Detent Positions (45°)
 - ⊙ =Key pull possible in these positions
 - ▲ =MOMENTARY POS.

REV.	ECN No.	DESCRIPTION	DATE	CHKD
C	19509	CHANGED THREAD DESCRIPTION	12/08/10	BGL
B	14873	REVERSED TERMINAL NUMBERS	4/21/05	JB
A	11566	RELEASE FOR PRODUCTION	8/5/02	CJB

THE INFORMATION CONTAINED IN THIS DOCUMENT IS PROPRIETARY TO E-SWITCH AND IS NOT TO BE COPIED OR TRANSMITTED

E-SWITCH®

KO129F-A126

TITLE	SCALE	DATE	DR	DWG	REV
	1:1.5	8/5/02	CB	K200310	C