

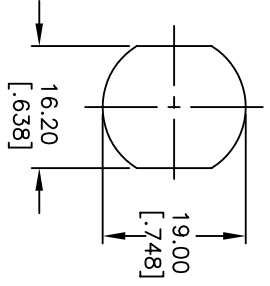
## Excellent Integrated System Limited

Stocking Distributor

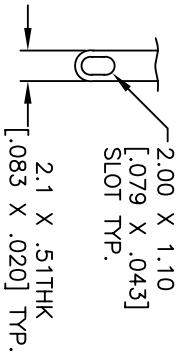
Click to view price, real time Inventory, Delivery & Lifecycle Information:

[E-Switch](#)  
[KO129LA126](#)

For any questions, you can email us directly:  
[sales@integrated-circuit.com](mailto:sales@integrated-circuit.com)



RECOMMENDED PANEL LAYOUT

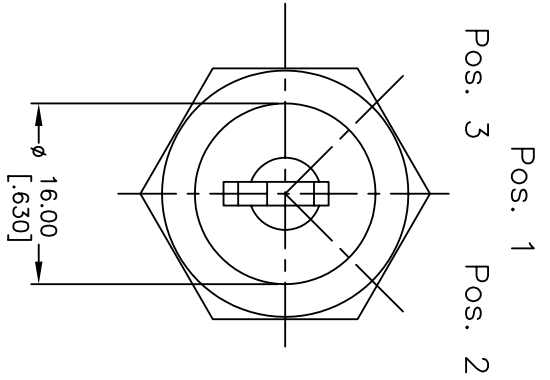


TERMINAL DETAIL  
SCALE 2X

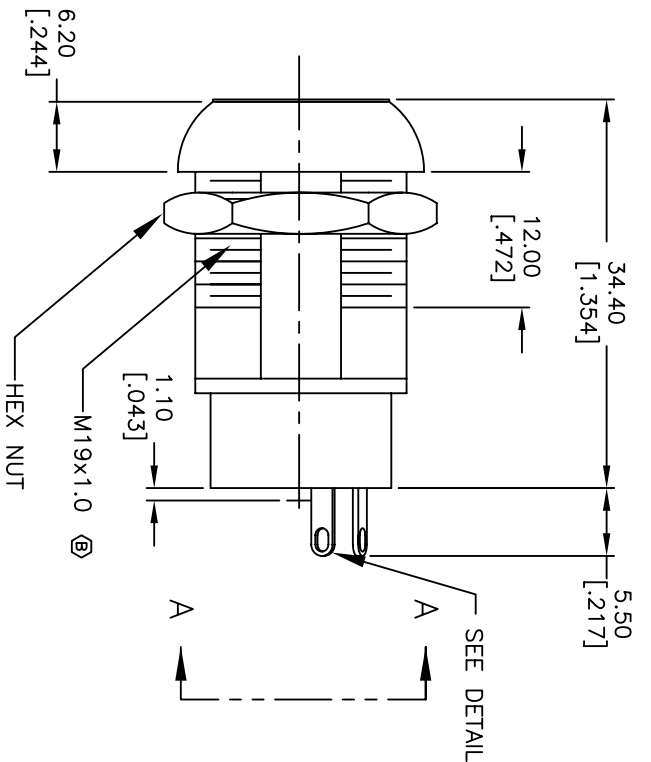
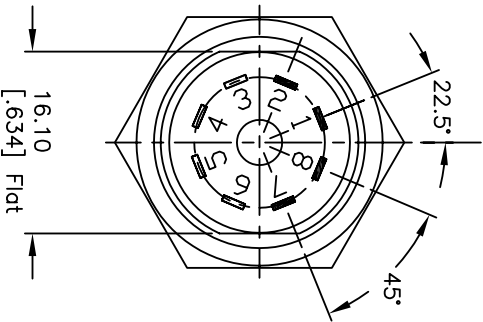
NOTES:

1. ALL DIMENSIONS IN MM [INCH]
2. GENERAL TOLERANCE: X.X=±0.4  
X.XX=±0.25
3. TERM. NOS. FOR REF. ONLY
4. CONTACT RATING: 4A @125VAC/28VDC, 2A @250VAC
5. DIELECTRIC STRENGTH: 1KV RMS min. at sea level
6. ELECTRICAL LIFE: 10,000 make-and-break cycles at full load.
7. MATERIALS:

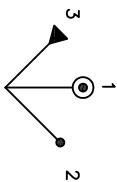
CONTACTS: Silver Plated CU (Q Contact material)  
 TERMINALS: Silver Plated Cu (Q Contact material)  
 MOUNTING NUT: Nickel Plated zinc alloy  
 CONTACT SPRING: Piano Wire  
 KEYS: (QTY. 2) Brass with code no. A126  
 LOCK: Bright Ni plated zinc alloy with Ni facing  
 TUMBLER Mechanism: 4-disc tumbler cylinder.



Pos. 1 Ref.



SEE DETAIL



CIRCUIT: SP (45° INDEXING)  
CONTACT CONFIGURATION

SWITCH FUNCTION	CONNECTED TERMINAL #
POS. 1	POS. 2
8-1	1-2
	8-7

LEGEND

- =Detent Positions (45°)
- ⊙ =Key pull possible in these positions
- ▲ =MOMENTARY POS.

**E-SWITCH®**

KO129L-A126

TITLE

SCALE 1:1

DATE 7/12/01

DR CB

DWG K200316

REV B

REV.	ECN No.	DESCRIPTION	DATE	CHKD
B	19509	CHANGED THREAD DESCRIPTION	12/08/10	BGL
A	11566	RELEASED FOR PRODUCTION	7/12/01	CJB

THE INFORMATION CONTAINED IN THIS DOCUMENT IS PROPRIETARY TO E-SWITCH AND IS NOT TO BE COPIED OR TRANSMITTED