

Excellent Integrated System Limited

Stocking Distributor

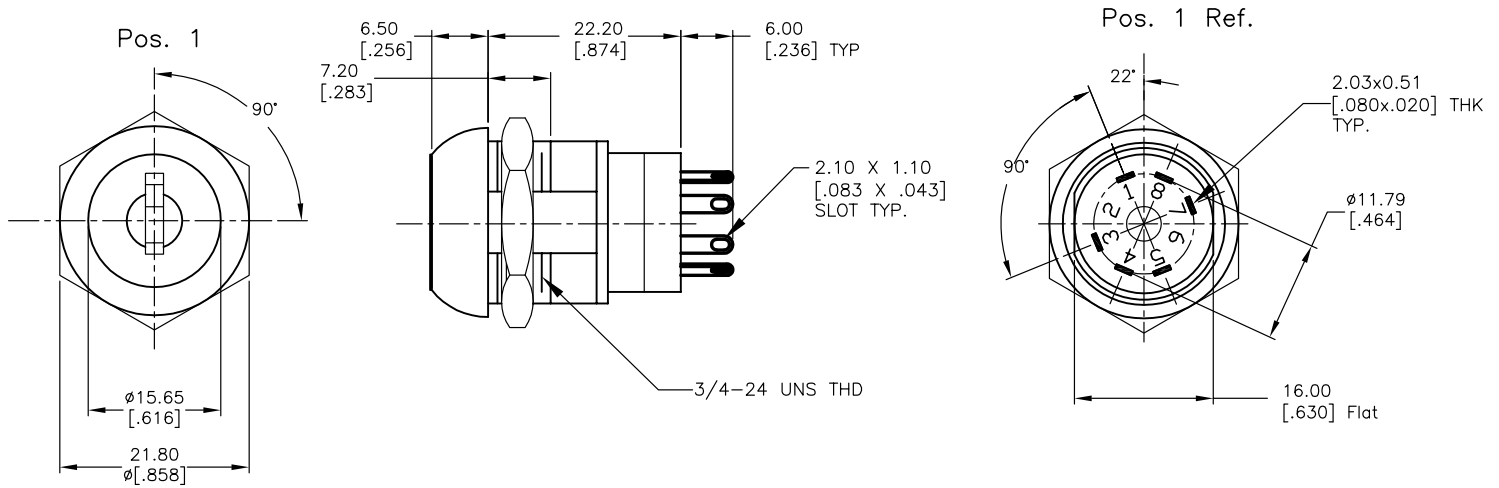
Click to view price, real time Inventory, Delivery & Lifecycle Information:

[E-Switch](#)
[KO130PA126](#)

For any questions, you can email us directly:

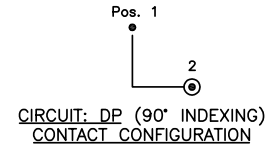
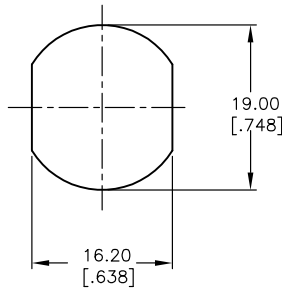
sales@integrated-circuit.com

SHEET OF



NOTES:

1. ALL DIMENSIONS IN MM [INCH]
2. GENERAL TOLERANCE: X.X=±0.4
X.XX=±0.25
3. TERM. NOS. FOR REF. ONLY
4. CONTACT RATING: 4A @125VAC/28VDC, 2A @250VAC
5. DIELECTRIC STRENGTH: 1KV RMS min. at sea level
6. ELECTRICAL LIFE: 10,000 make-and-break cycles at full load.
7. MATERIALS:
 CONTACTS: Silver Plated CU (Q Contact material)
 TERMINALS: GOLD Plated Cu (Q Contact material)
 MOUNTING NUT: Nickel Plated zinc alloy
 CONTACT SPRING: Piano Wire
 KEYS (2): Brass with code no. A126
 LOCK: Bright NI plated zinc alloy with NI facing
 TUMBLER Mechanism: 4-disc tumbler cylinder.



| SWITCH FUNCTION | |
|----------------------|----------|
| CONNECTED TERMINAL # | |
| POS. 1 | POS. 2 |
| 8-1, 4-5 | 1-3, 5-7 |

LEGEND

- =Detent Positions (45° or 90°)
- ⊙ =Key pull possible in these positions

E-SWITCH®

| | | | | | | | |
|-------|---------|-------------------------|---------|-------------|----|-----|---------|
| TITLE | | | | K0130P-A126 | | | |
| SCALE | 1.5:1 | DATE | 3/28/05 | DR | AR | DWG | K200262 |
| REV. | ECN No. | DESCRIPTION | DATE | CHKD | | | REV |
| A | 14782 | RELEASED FOR PRODUCTION | 3/28/05 | AR | | | A |

THE INFORMATION CONTAINED IN THIS DOCUMENT IS PROPRIETARY TO E-SWITCH AND IS NOT TO BE COPIED OR TRANSFERRED