

Excellent Integrated System Limited

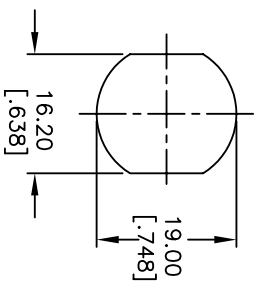
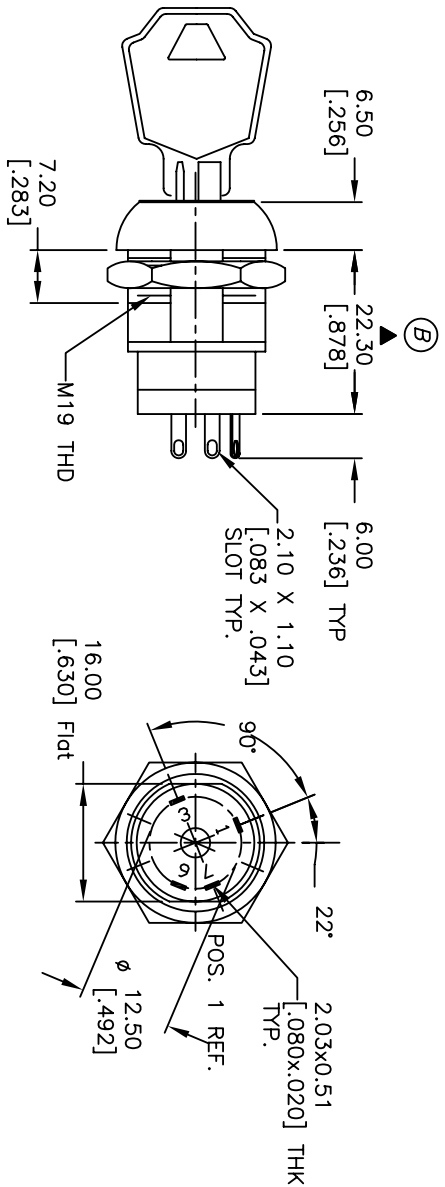
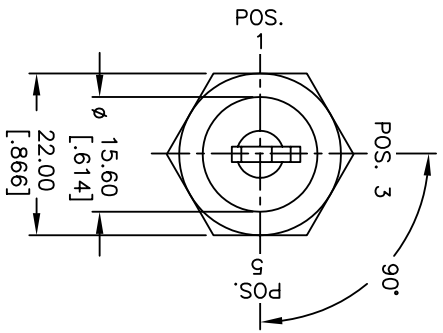
Stocking Distributor

Click to view price, real time Inventory, Delivery & Lifecycle Information:

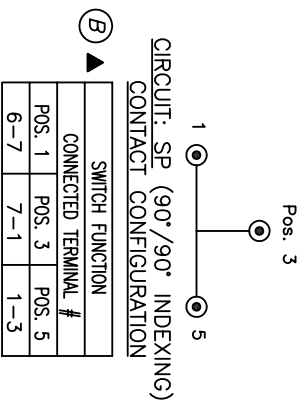
[E-Switch](#)
[KO130Z4A126](#)

For any questions, you can email us directly:

sales@integrated-circuit.com



RECOMMENDED PANEL LAYOUT



LEGEND

⊙ =key pull possible in these positions

NOTES:

1. ALL DIMENSIONS IN MM [INCH]
2. GENERAL TOLERANCE: X.X=±0.4
X.XX=±0.25
3. TERM. NOS. FOR REF. ONLY
4. CONTACT RATING: 4A @125VAC/28VDC, 2A @250VAC
5. DIELECTRIC STRENGTH: 1KV RMS min. at sea level
6. ELECTRICAL LIFE: 10,000 make-and-break cycles at full load.
7. MATERIALS:

CONTACTS: Silver Plated CU (Q Contact material)
TERMINALS: GOLD Plated Cu (Q Contact material)
MOUNTING NUT: Nickel Plated zinc alloy
CONTACT SPRING: Plano Wire
KEYS (2): Brass
LOCK: Bright Ni plated zinc alloy with NI facing
TUMBLER Mechanism: 4-disc tumbler cylinder.
⑧8. ▲ DENOTES CRITICAL PARAMETER

REV.	ECN No.	DESCRIPTION	DATE	CHKD	PH
B	15325	UPDATES NOTED WITH (B)	9/23/05		AR
A	14153	RELEASED FOR PRODUCTION	7/7/04		AR

TITLE	SCALE	DATE	DR	DWG	REV
E-SWITCH ®	1:1	7/7/04	AR	K200261	B
K0130Z4A126(ⓑ)					

THE INFORMATION CONTAINED IN THIS DOCUMENT IS PROPRIETARY TO E-SWITCH AND IS NOT TO BE COPIED OR TRANSFERRED