

Excellent Integrated System Limited

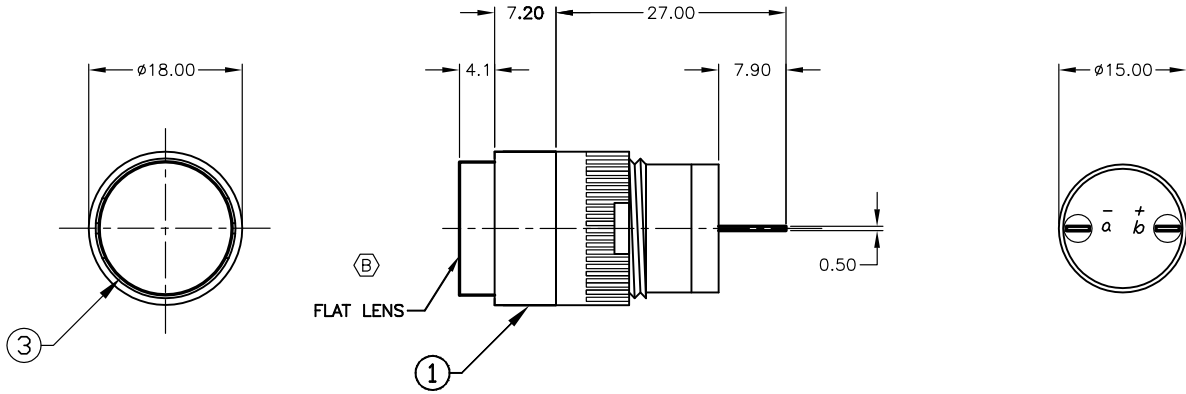
Stocking Distributor

Click to view price, real time Inventory, Delivery & Lifecycle Information:

[E-Switch](#)
[L16PLR10CGRN](#)

For any questions, you can email us directly:
sales@integrated-circuit.com

SHEET OF



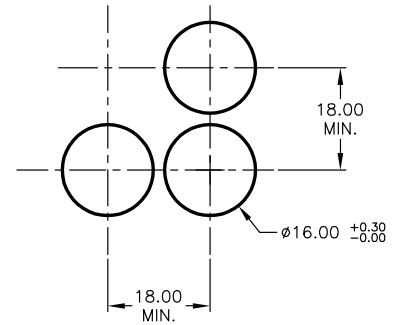
PARTS LIST			
ITEM	QTY.	PART NO.	PART DESCRIPTION
1	1	F040003	L16 PL R1 00
2	1	F050405	50-004-05 (Incandescent bulb)
3	1	F050112	50-001-12 (Green lens)

a-(L)-b (+)

CIRCUIT: PILOT INDICATOR

NOTES:

1. ALL DIMENSIONS IN MM
2. GENERAL TOLERANCE: X.X=±0.4
X.XX=±0.25
3. RATINGS: 1A, 2A, 4A, 5A @250V AC
28V AC/DC 40Ma (INCANDESCENT BULB)
4. CONTACT MATERIAL: COPPER ALLOY W/Silver Plating



REV.	ECN No.	DESCRIPTION	DATE	CHKD
B	14265	ADD LENS NOTE	8/25/04	AR
A	14120	RELEASE FOR PRODUCTION	6/28/04	AR

THE INFORMATION CONTAINED IN THIS DOCUMENT IS PROPRIETARY TO E-SWITCH AND IS NOT TO BE COPIED OR TRANSFERRED

E-SWITCH®				
TITLE L16PLR10CGRN				
SCALE	DATE	DR	DWG	REV
1.5:1	6/28/04	AR	XF0359P	B