

Excellent Integrated System Limited

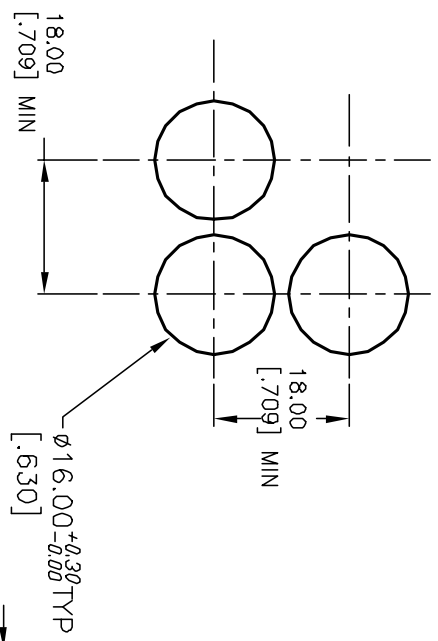
Stocking Distributor

Click to view price, real time Inventory, Delivery & Lifecycle Information:

[E-Switch](#)
[L16PLS10BRED](#)

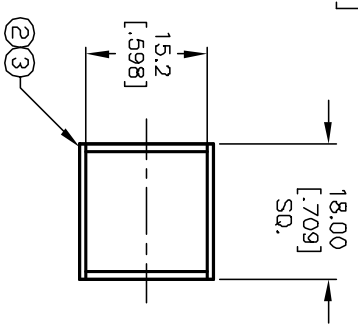
For any questions, you can email us directly:

sales@integrated-circuit.com

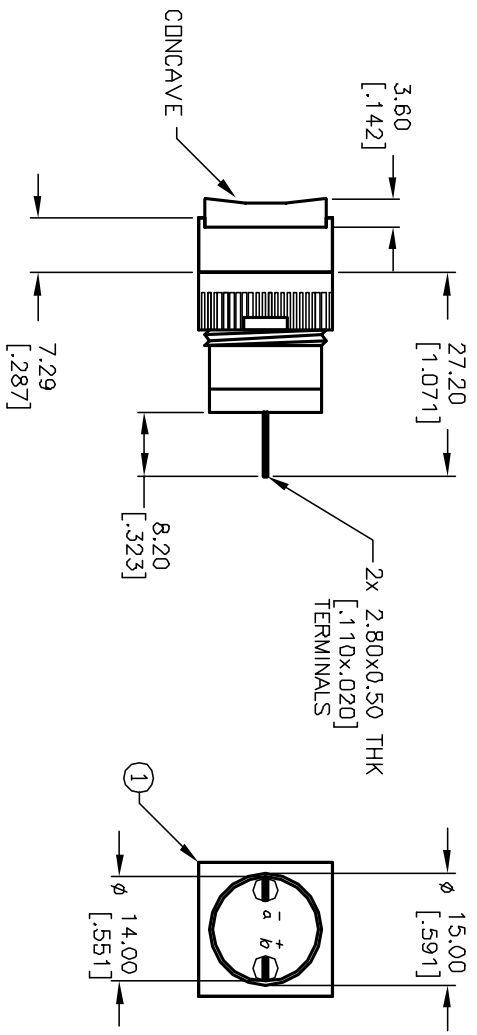


RECOMMENDED PANEL LAYOUT

CONTACT CONFIGURATION



| Item | Qty. | Dwg. No. | Part No. |
|------|------|----------|--------------------------------|
| 1 | 1 | F040002 | L16 PLS10 |
| 2 | 1 | F050404 | 50-004-04 |
| 3 | 1 | F050304 | 50-003-04 RED LENS TRANSPARENT |



- NOTES:
1. ALL DIMENSIONS IN MM [INCH]
 2. GENERAL TOLERANCE: X.X=±0.4
X.XX=±0.25
 3. TERM. NOS. FOR REFERENCE ONLY.
 4. RATING: 5A @250V AC
8A @125V AC
 5. LAMP VOLTAGE: 14VAC/DC 80mA DC LED
 6. MECHANICAL LIFETIME: >2 MILLION OPERATIONS
 7. CONTACT MATERIAL: COPPER ALLOY W/SILVER PLATING

| REV. | ECN No. | DESCRIPTION | DATE | CHKD |
|------|---------|-------------------------|---------|------|
| A | 12439 | RELEASED FOR PRODUCTION | 1/15/03 | CB |

| | | | |
|-------|------------------|------|---------|
| TITLE | L16 PL S10 B RED | | |
| SCALE | 1:1 | DATE | --- |
| | | DR | --- |
| | | DWG | XF0108P |
| REV | A | | |

E-SWITCH®

THE INFORMATION CONTAINED IN THIS DOCUMENT IS PROPRIETARY TO E-SWITCH AND IS NOT TO BE COPIED OR TRANSMITTED