

## Excellent Integrated System Limited

Stocking Distributor

Click to view price, real time Inventory, Delivery & Lifecycle Information:

[E-Switch](#)  
[LAKEEU11JGRNGRN](#)

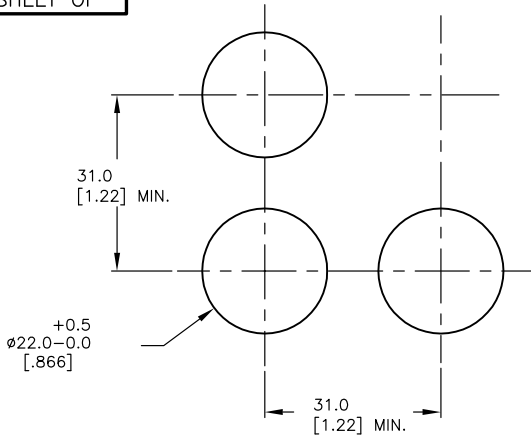
For any questions, you can email us directly:

[sales@integrated-circuit.com](mailto:sales@integrated-circuit.com)

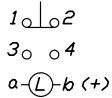
SHEET OF

PARTS LIST

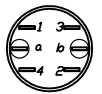
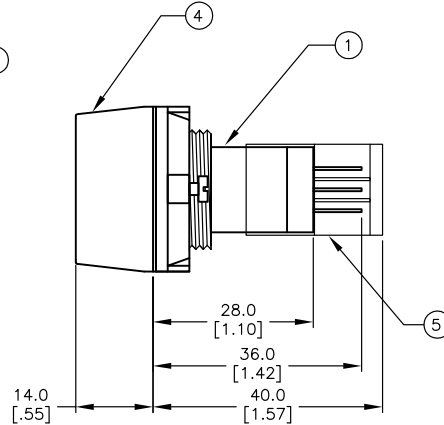
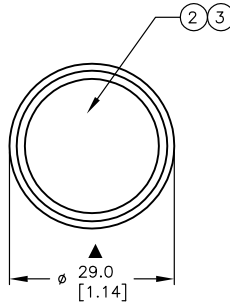
ITEM	QTY.	PART NO.	PART DESCRIPTION
1	1	F060620	LAKEEU110
5	1	F050419	50-004-19 (GREEN 12V LED)
3	1	F060212	29mm GREEN LENS
4	1	F051701	29MM RING FOR LA SERIES
5	1	F051601	P16 PLASTIC TERMINAL PROTECTOR



RECOMMEND PANEL MOUNTING



CONTACT CONFIGURATION



NOTES:

1. ALL DIMENSIONS IN MM [INCH]
2. GENERAL TOLERANCE: 0.0±0.4  
0.00±0.25
3. TERM. NOS. FOR REF. ONLY
4. TRAVEL: 3.0MM
5. MECHANICAL LIFETIME: >2 MILLION OPERATIONS
6. CONTACT MATERIAL: COPPER ALLOY W/ SILVER PALTING
7. RATING: 5A @250VAC  
8A @125VAC
- ▲ 8. LAMP VOLTAGE: 12VDC
9. ▲ DENOTES CRITICAL PARAMETER.

**E-SWITCH®**

TITLE				
LAKEEU11JGRNGRN				
SCALE	DATE	DR	DWG	REV
1:1	7/2/04	AR	XF0595P	A

A	14135	RELEASED FOR PRODUCTION	7/2/04	AR
REV.	ECN No.	DESCRIPTION	DATE	CHKD

THE INFORMATION CONTAINED IN THIS DOCUMENT IS PROPRIETARY TO E-SWITCH AND IS NOT TO BE COPIED OR TRANSFERRED