

Excellent Integrated System Limited

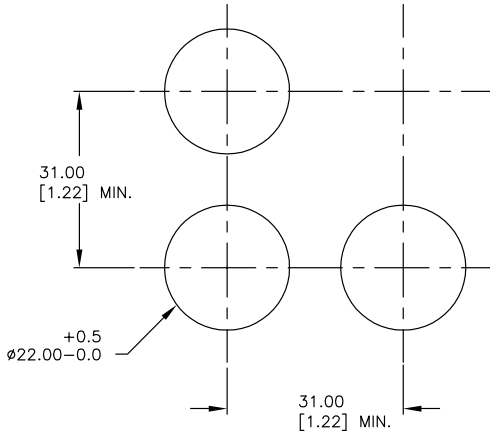
Stocking Distributor

Click to view price, real time Inventory, Delivery & Lifecycle Information:

[E-Switch](#)
[LAKEEV11JREDBLU](#)

For any questions, you can email us directly:
sales@integrated-circuit.com

SHEET 1 OF 1



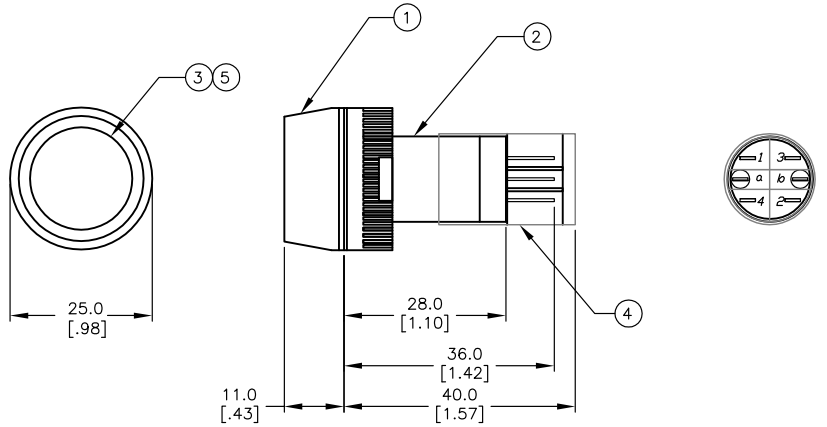
RECOMMENDED PANEL MOUNTING

1 0 1 0 2
 3 0 0 4
 a-(L)-b (+)

SPST
 CONTACT CONFIGURATION

NOTES:

1. ALL DIMENSIONS IN MM
2. GENERAL TOLERANCE: X.X=±0.4
X.XX=±0.25
3. RATINGS: 5A @250V AC;
8A @125V AC
4. CONTACT MATERIAL:
COPPER ALLOY W/Silver Plating
5. LAMP VOLTAGE: 12V DC



PARTS LIST

Item	Qty.	Dwg. No.	Part No.
1	1	F051702	25mm RING FOR LA SERIES
2	1	F060619	LAKEEV110 (BODY)
3	1	F061257	25mm BLUE LENS
4	1	F051601	P16 PLASTIC TERMINAL PROTECTOR
5	1	F050420	50-004-20 (RED 12 V LED)

(B)

REV.	ECN No.	DESCRIPTION	DATE	CHKD
B	14197	CORRECT LED IN BOM	7/28/04	AR
A	14132	RELEASED FOR PRODUCTION	7/7/04	AR

THE INFORMATION CONTAINED IN THIS DOCUMENT IS PROPRIETARY TO E-SWITCH AND IS NOT TO BE COPIED OR TRANSFERRED

E-SWITCH®				
TITLE LAKEEV11JREDBLU				
SCALE	DATE	DR	DWG	REV
1:1	7/7/04	AR	XF0598P	B