

## Excellent Integrated System Limited

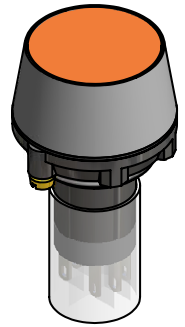
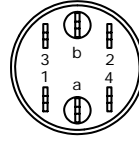
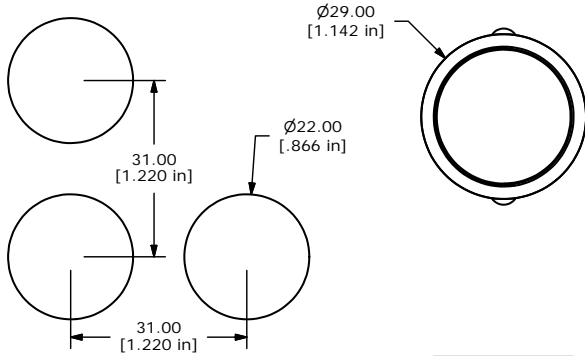
Stocking Distributor

Click to view price, real time Inventory, Delivery & Lifecycle Information:

[E-Switch](#)  
[LAKOAU11KYELORG](#)

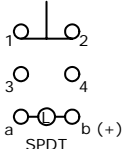
For any questions, you can email us directly:  
[sales@integrated-circuit.com](mailto:sales@integrated-circuit.com)

SHEET 1 OF 1

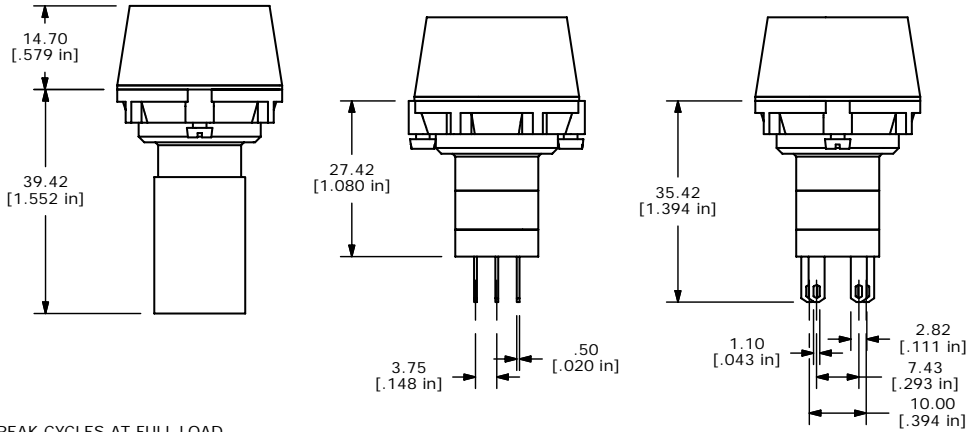


ISOMETRIC

**RECOMMEND PANEL MOUNTING**



**CONTACT CONFIGURATION**



**NOTES:**

1. ALL DIMENSIONS IN MM [INCH].
2. GENERAL TOLERANCE: 0.0±0.4  
0.00±0.25
3. TERM. NOS. FOR REF. ONLY.
4. RATING: 5A @250VAC  
8A @125VAC  
.2A @250VDC  
6A @24VDC
5. ELECTRIC LIFE: 50,000 MAKE-OR-BREAK CYCLES AT FULL LOAD.
6. INSULATION: 1,000 MΩ MIN.
7. DIELECTRIC STRENGTH: 1,500V FOR 1 MIN.  
3,000V BETWEEN POLES
8. OPERATING TEMP: -20°C TO 55°C
9. LENS COLOR: ORANGE
10. LAMP: LED 24VDC YELLOW



TITLE LAKOAU11KYELORG

A	14894	RELEASED FOR PRODUCTION	5/11/05	JB
REV	PCR NO	DESCRIPTION	DATE	BY

THE INFORMATION CONTAINED IN THIS DOCUMENT IS PROPRIETARY TO E-SWITCH AND IS NOT TO BE COPIED OR TRANSFERRED

SCALE	1:1	DATE	5/11/2005	DR	JB	DWG	F060624	REV	A
-------	-----	------	-----------	----	----	-----	---------	-----	---