

Excellent Integrated System Limited

Stocking Distributor

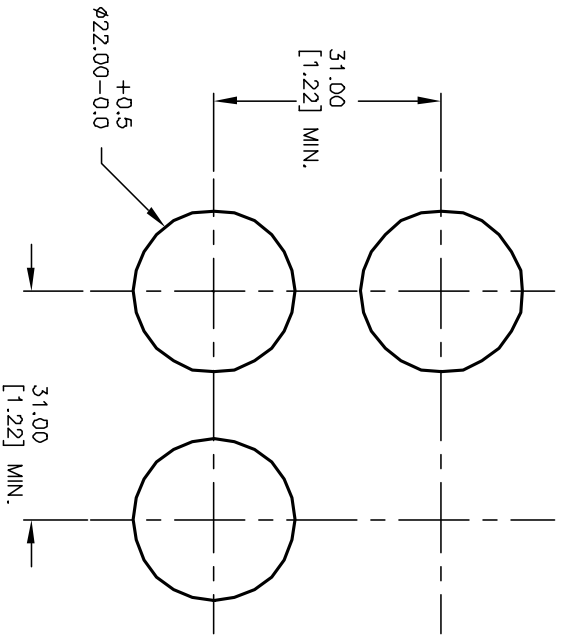
Click to view price, real time Inventory, Delivery & Lifecycle Information:

[E-Switch](#)
[LAKOAV11HGRNGRN](#)

For any questions, you can email us directly:

sales@integrated-circuit.com

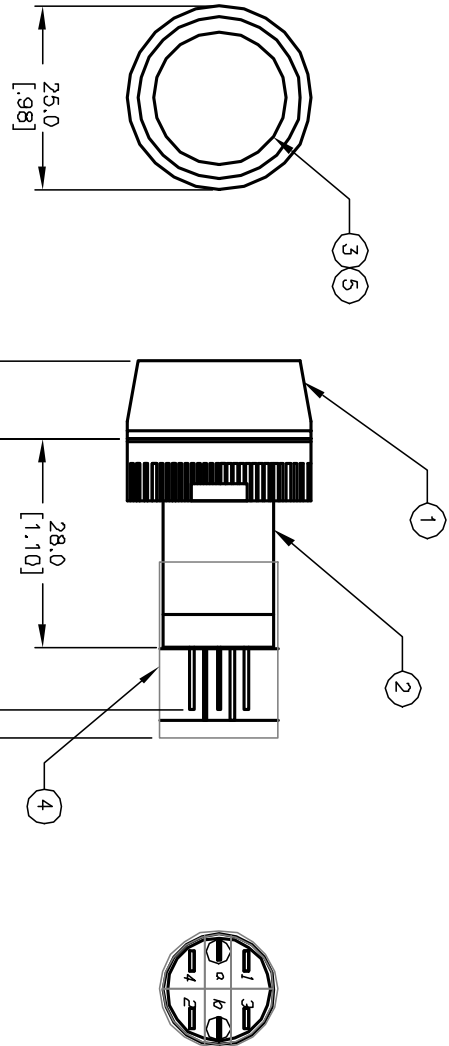
PARTS LIST		
Item	Qty.	Dwg. No. Part No.
1	1	F051702 25mm RING FOR LA SERIES
2	1	F060621 LAKOAV110 (BODY)
3	1	F060254 25mm GREEN LENS
4	-	SUPPLIED P16 PLASTIC TERMINAL PROTECTOR
5	1	F050416 50-004-16 (GREEN LED)



RECOMMENDED PANEL MOUNTING

1 0 1 0 2
 3 0 0 4
 a-L-k (+)

SPST
 CONTACT CONFIGURATION



- NOTES:
1. ALL DIMENSIONS IN MM
 2. GENERAL TOLERANCE: X.X=±0.4
X.XX=±0.25
 3. RATINGS: 5A @250V AC;
8A @125V AC
 4. CONTACT MATERIAL:
COPPER ALLOY W/Silver Plating
 5. LAMP VOLTAGE: 6V DC

REV.	ECN No.	RELEASED FOR PRODUCTION DESCRIPTION	DATE	CHKD
A	13100		5/1/03	AR

TITLE	SCALE	DATE	DR	DWG	REV
LAKOAV11HGRNGRN	1:1	5/1/03	AR	XF0553P	A

E-SWITCH®

THE INFORMATION CONTAINED IN THIS DOCUMENT IS PROPRIETARY TO E-SWITCH AND IS NOT TO BE COPIED OR TRANSFERRED