

## Excellent Integrated System Limited

Stocking Distributor

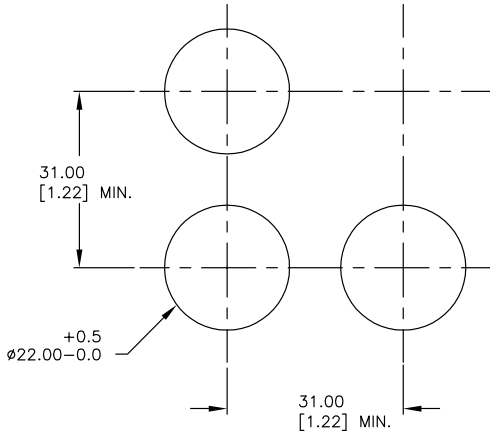
Click to view price, real time Inventory, Delivery & Lifecycle Information:

[E-Switch](#)  
[LAKOAV11JGRNGRN](#)

For any questions, you can email us directly:

[sales@integrated-circuit.com](mailto:sales@integrated-circuit.com)

SHEET 1 OF 1



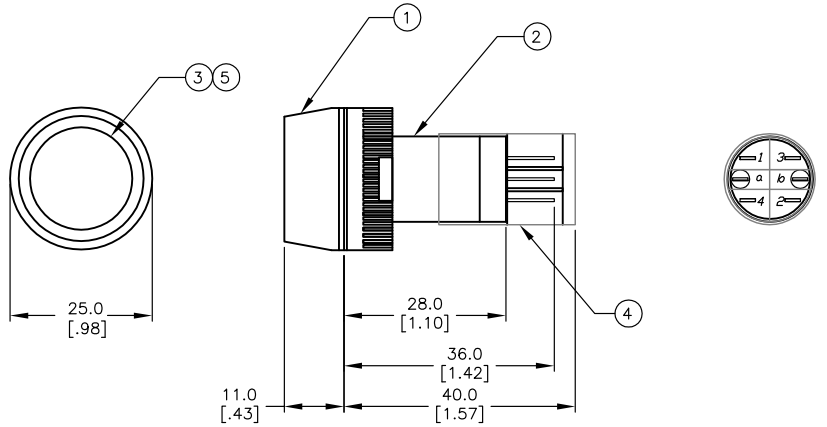
RECOMMENDED PANEL MOUNTING

1 0 1 0 2  
 3 0 0 4  
 a-(L)-b (+)

SPST  
 CONTACT CONFIGURATION

NOTES:

1. ALL DIMENSIONS IN MM
2. GENERAL TOLERANCE: X.X=±0.4  
X.XX=±0.25
3. RATINGS: 5A @250V AC;  
8A @125V AC
4. CONTACT MATERIAL:  
COPPER ALLOY W/Silver Plating
5. LAMP VOLTAGE: 12V DC



PARTS LIST				
Item	Qty.	Dwg. No.	Part No.	
1	1	F051702	25mm RING FOR LA SERIES	
2	1	F060621	LAKOAV110 (BODY)	
3	1	F061254	25mm GREEN LENS	
4	1	F051601	P16 PLASTIC TERMINAL PROTECTOR	
5	1	F050419	50-004-19 (GREEN LED)	

A	14184	RELEASED FOR PRODUCTION	7/26/04	AR
REV.	ECN No.	DESCRIPTION	DATE	CHKD
THE INFORMATION CONTAINED IN THIS DOCUMENT IS PROPRIETARY TO E-SWITCH AND IS NOT TO BE COPIED OR TRANSFERRED				

<b>E-SWITCH®</b>				
TITLE LAKOAV11JGRNGRN				
SCALE	DATE	DR	DWG	REV
1:1	7/26/04	AR	XF0599P	A