

## Excellent Integrated System Limited

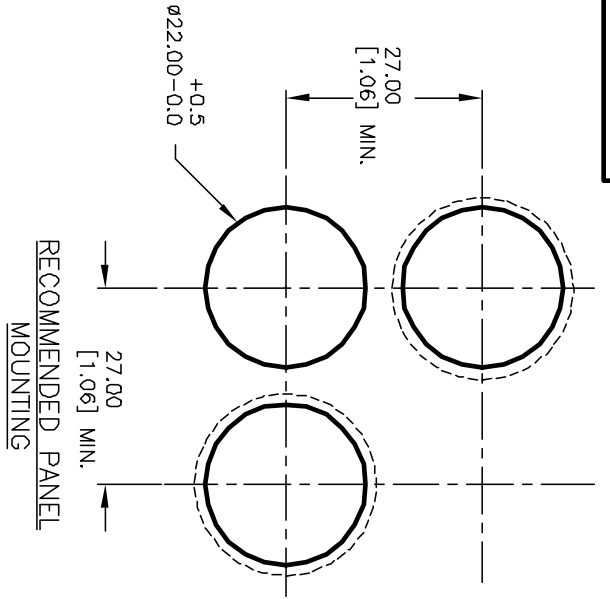
Stocking Distributor

Click to view price, real time Inventory, Delivery & Lifecycle Information:

[E-Switch](#)  
[LAPPLV10HGRNGRN](#)

For any questions, you can email us directly:

[sales@integrated-circuit.com](mailto:sales@integrated-circuit.com)

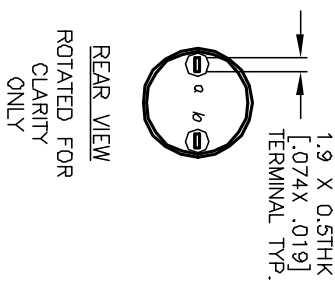
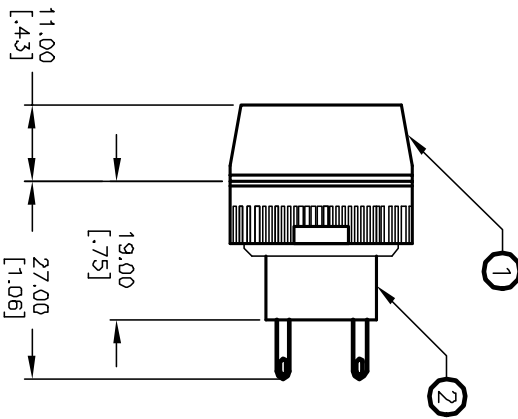
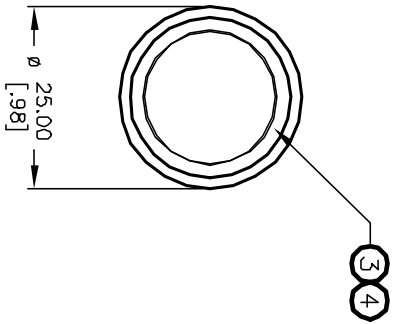


a-L-b (+)

PILOT INDICATOR

NOTES:

1. ALL DIMENSIONS IN MM [INCH]
2. GENERAL TOLERANCE: X.X=±0.4 X.XX=±0.25
3. RATINGS: 5A@250V AC, 8A@125V AC
4. CONTACT MATERIAL: COPPER ALLOY W/Gold plating
5. MECHANICAL LIFE: >100,000 Cycles
6. ELECTRICAL LIFE: >50,000 Cycles
7. INSULATION RESISTANCE: >1000 MILLI-OHMS
8. OPERATING TEMP: -20°C to 55°C
9. LAMP VOLTAGE: 6VDC (L.E.D.)



PARTS LIST			Part No.
Item	Qty.	Dwg. No.	
1	1	F051702	25mm RING FOR LA SERIES
2	1	F060600	LAPPLV10
3	1	F050416	50-004-16 GRN L.E.D.
4	1	F061254	25mm GRN LENS (TRANSPARENT)

REV.	ECN No.	DESCRIPTION	DATE	CHKD
A	12488	RELEASED FOR PRODUCTION	10/16/02	CJB

TITLE	SCALE	DATE	DR	DWG	REV
LAP PLV10 H GRN GRN (TRANSPARENT LENS)	1:1	10/16/02	CJB	XF0521P	A



THE INFORMATION CONTAINED IN THIS DOCUMENT IS PROPRIETARY TO E-SWITCH AND IS NOT TO BE COPIED OR TRANSMITTED