

Excellent Integrated System Limited

Stocking Distributor

Click to view price, real time Inventory, Delivery & Lifecycle Information:

[E-Switch](#)
[LASEEU110RED](#)

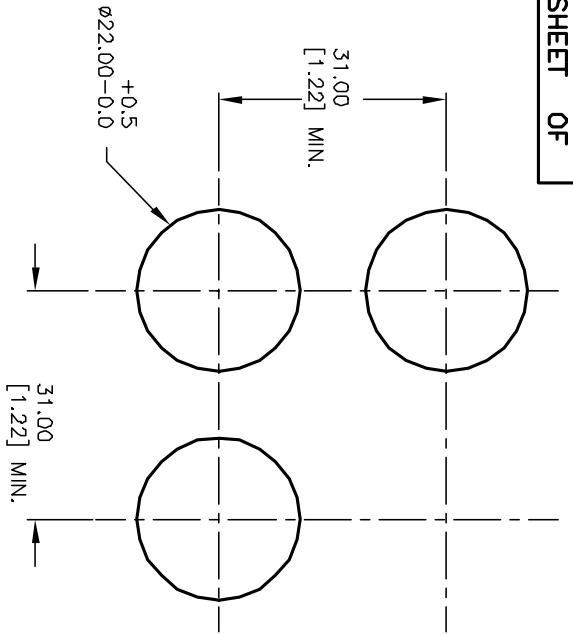
For any questions, you can email us directly:

sales@integrated-circuit.com

SHEET OF

PARTS LIST

Item	Qty.	Dwg. No.	Part No.
1	1	F051701	29mm RING FOR LA SERIES
2	1	F060614	LASEEU110
3	1	F060295	29mm RED LENS



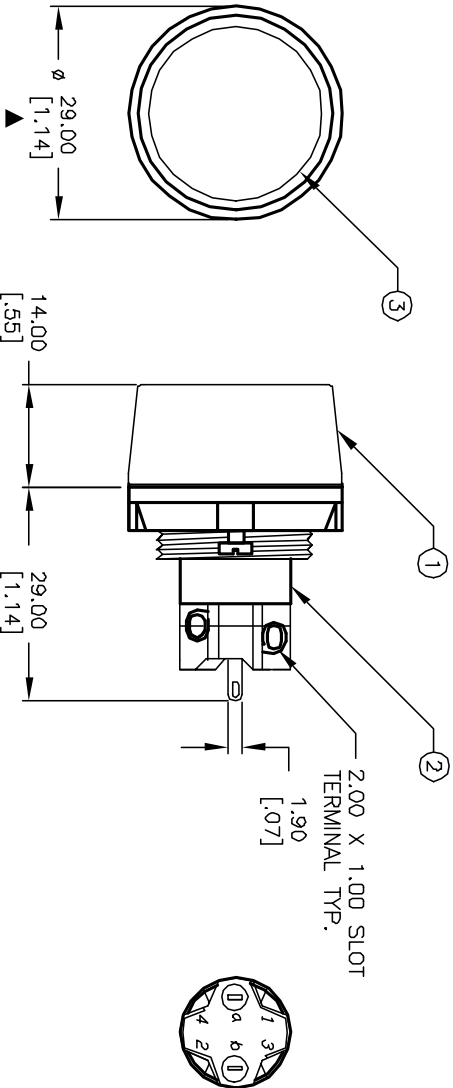
RECOMMENDED PANEL MOUNTING

1 o l o 2
 3 o o 4
 a - (L) - b (++)

SPST
 CONTACT CONFIGURATION

NOTES:

1. ALL DIMENSIONS IN MM [INCH]
2. GENERAL TOLERANCE: X.X=±0.4 X.XX=±0.25
3. RATINGS: 250VAC @1A, 2A, 4A, 5A
4. CONTACT MATERIAL: Cu Alloy w/Silver plate.
5. TRAVEL: 3.0mm
6. FEATURES: OIL AND WATERTIGHT SEAL
7. ▲ DENOTES CRITICAL PARAMETER.



REV.	ECN No.	DESCRIPTION	DATE	CHKD
A	13144	RELEASED FOR PRODUCTION	5/16/03	AR

TITLE	SCALE	DATE	DR	DWG	REV
LASEEU110RED	1:1	5/16/03	AR	XF0272P	A

E-SWITCH®

THE INFORMATION CONTAINED IN THIS DOCUMENT IS PROPRIETARY TO E-SWITCH AND IS NOT TO BE COPIED OR TRANSFERRED