

Excellent Integrated System Limited

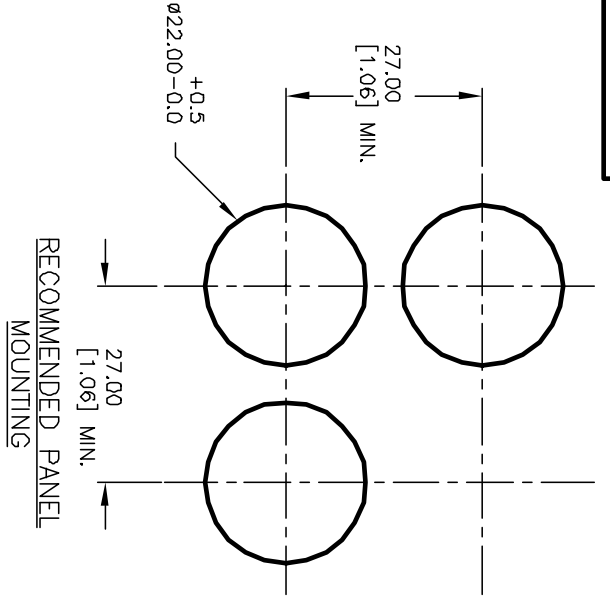
Stocking Distributor

Click to view price, real time Inventory, Delivery & Lifecycle Information:

[E-Switch](#)
[LASEEV11HREDWHT](#)

For any questions, you can email us directly:

sales@integrated-circuit.com



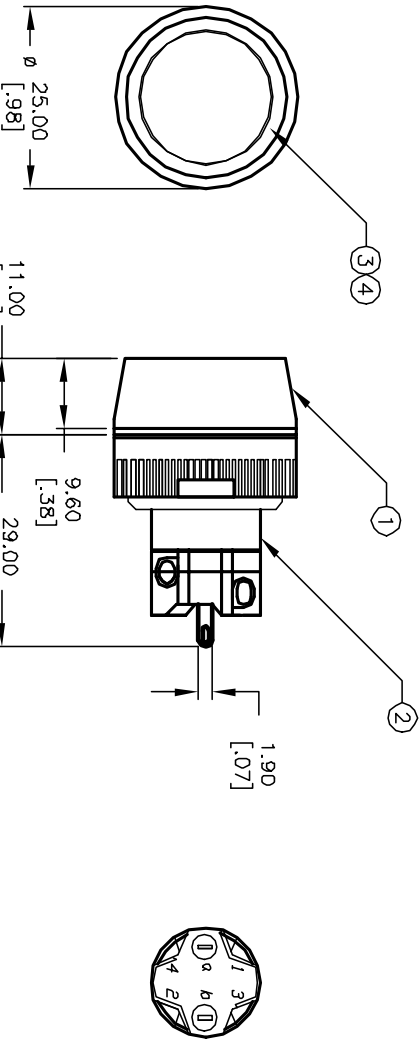
1 0 1 0 2
 3 0 0 4
 a - b (+)

SPST
 CONTACT CONFIGURATION

NOTES:

1. ALL DIMENSIONS IN MM
2. GENERAL TOLERANCE: X.X=±0.4
X.XX=±0.25
3. RATINGS: 5A@250V AC,
8A@125V AC
4. CONTACT MATERIAL: COPPER ALLOY w/gold plating
5. TRAVEL: 3.0mm (Total) 2.0mm (Latch)
6. MECHANICAL LIFE: >100,000 Cycles
7. ELECTRICAL LIFE: >50,000 Cycles
8. INSULATION RESISTANCE: >1000 MΩ-ΩHMS
9. OPERATING TEMP: -20°C to 55°C
10. LAMP VOLTAGE: 6VDC (L.E.D.)

PARTS LIST		
Item	Qty.	Dwg. No. Part No.
1	1	F051702 25mm RING FOR LA SERIES
2	1	F060602 LASEEV110
3	1	F060253 25mm WHIT LENS (OPAQUE)
4	1	F050417 50-004-17 RED L.E.D.



REV.	ECN No.	DESCRIPTION	DATE	CHKD
A	12756	RELEASED FOR PRODUCTION	1/24/03	CJB

TITLE	SCALE	DATE	DR	DWG	REV
LAS EE V11 H RED WHT	1:1	1/24/03	CJB	XF0540P	A

E-SWITCH®

THE INFORMATION CONTAINED IN THIS DOCUMENT IS PROPRIETARY TO E-SWITCH AND IS NOT TO BE COPIED OR TRANSMITTED