

## Excellent Integrated System Limited

Stocking Distributor

Click to view price, real time Inventory, Delivery & Lifecycle Information:

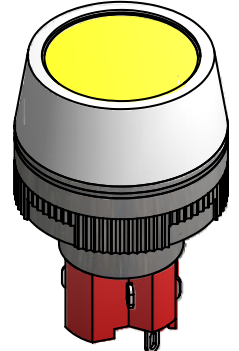
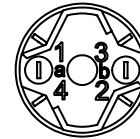
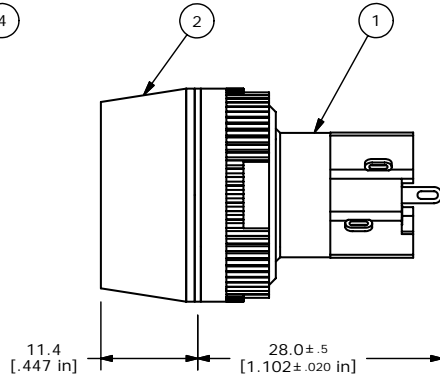
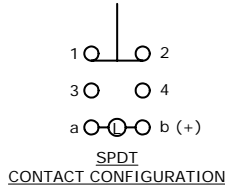
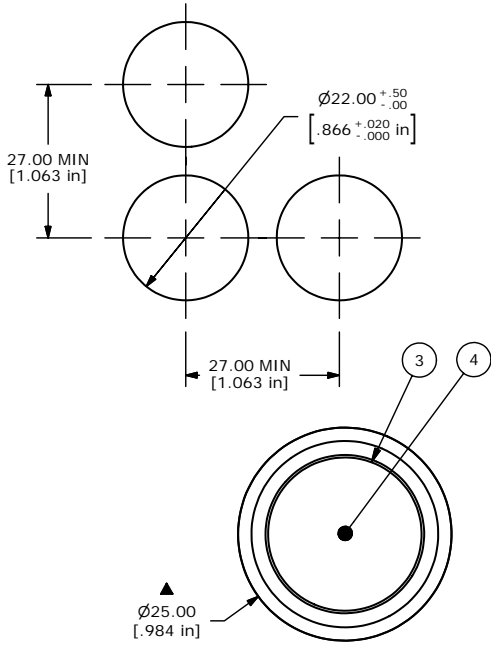
[E-Switch](#)  
[LASEEV11KYELYEL](#)

For any questions, you can email us directly:

[sales@integrated-circuit.com](mailto:sales@integrated-circuit.com)

SHEET 1 OF 1

Parts List			
ITEM	QTY	PART NUMBER	DESCRIPTION
1	1	F060602	LASEEV11
2	1	F051702	25MM RING FOR LA SERIES
3	1	F060256	25MM YELLOW LENS
4	1	F050424	50-004-24, 24VDC LED YEL



ISOMETRIC

- NOTE:
1. ALL DIMENSIONS IN MM [INCH]
  2. GENERAL TOLERANCE: X.X=±0.4  
X.XX=±0.25
  3. TERMINAL NUMBERS FOR REF ONLY
  4. RATING: 5 AMPS @ 250VAC UL, VDE APPROVED  
6 AMPS @ 24VDC UL, VDE APPROVED
  5. ELECTRIC LIFE: 50,000 MAKE-AND-BREAK CYCLES AT FULL LOAD.
  6. INSULATION RESISTANCE: 1,000 MEGA-OHM MIN.
  7. OPERATING TEMP.: -25°C to 55°C
  - ▲8. LAMP VOLTAGE: 24VDC LED
  - ▲9. DENOTES CRITICAL PARAMETER.
  10. 2002/95/EC (ROHS) COMPLIANT.



TITLE LASEEV11KYELYEL				
SCALE 1.5:1	DATE 12/18/2006	DR TN	DWG XF0701P	REV A

A	16772	RELEASED FOR PRODUCTION	12/18/06	TN
REV	PCR NO	DESCRIPTION	DATE	BY

THE INFORMATION CONTAINED IN THIS DOCUMENT IS PROPRIETARY TO E-SWITCH AND IS NOT TO BE COPIED OR TRANSFERRED