

Excellent Integrated System Limited

Stocking Distributor

Click to view price, real time Inventory, Delivery & Lifecycle Information:

[E-Switch](#)
[LASEEV32KGRNGRN](#)

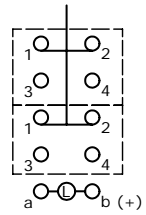
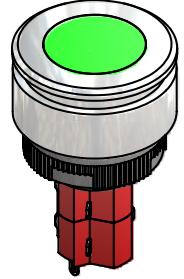
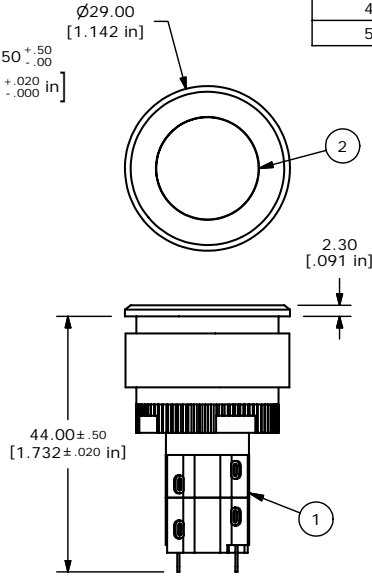
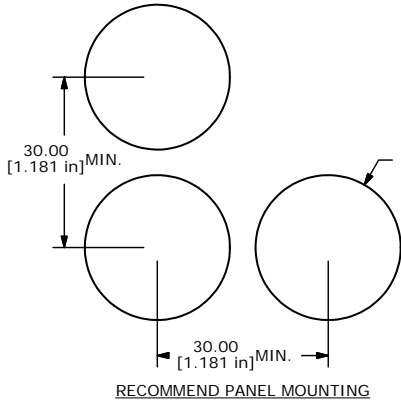
For any questions, you can email us directly:

sales@integrated-circuit.com

SHEET 1 OF 1

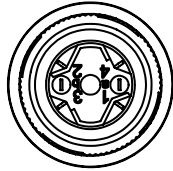
▲ Parts List

ITEM	QTY	PART NUMBER	DESCRIPTION
1	1	F060602	LASEEV110
2	1	F060202	25 MM GREEN LENS
3	1	F051705	29MM FLUSH MOUNT RETAINER
4	1	F051704	29MM FLUSH MOUNT BEZEL
5	1	F050422	GREEN 24VDC LED



DPDT CONTACT CONFIGURATION

- NOTES:
- ALL DIMENSIONS IN MM [INCH].
 - GENERAL TOLERANCE: 0.0 ± 0.4
 0.00 ± 0.25
 - TERM. NOS. FOR REF. ONLY.
 - ▲ RATING: 5A @250VAC
8A @125VAC
.2A @250VDC
6A @24VDC
 - INSULATION: 1,000 MΩ MIN.
 - DIELECTRIC STRENGTH: 2000V FOR 1 MIN.
 - SEALED TO IP65.
 - TRAVEL: 3.0MM FULL TRAVEL, 2.0MM LATCH
 - ELECTRICAL LIFE: >50,000 CYCLES
 - OPERATING TEMP: -25C TO +55C
 - PANEL THICKNESS: 0.5MM TO 3.0MM
 - ▲ LED VOLTAGE: 24VDC GREEN
 - ▲ DENOTES CRITICAL PARAMETER.
 - ▲ PACKAGE: BOX/10 PER
 - 2002/95/EC (ROHS) COMPLIANT



B	16977	30.00 TO 29.00	2/8/2007	TN
A	16896	RELEASED FOR PRODUCTION	1/22/2007	TN
REV	PCR NO	DESCRIPTION	DATE	BY

TITLE LASEEV32KGRNGRN				
SCALE 1:1	DATE 2/8/2007	DR TN	DWG XF0708P	REV B

THE INFORMATION CONTAINED IN THIS DOCUMENT IS PROPRIETARY TO E-SWITCH AND IS NOT TO BE COPIED OR TRANSFERRED