

Excellent Integrated System Limited

Stocking Distributor

Click to view price, real time Inventory, Delivery & Lifecycle Information:

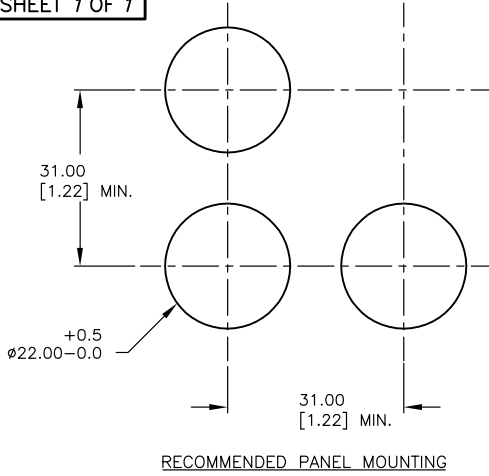
[E-Switch](#)
[LASOAU11HREDRED](#)

For any questions, you can email us directly:

sales@integrated-circuit.com

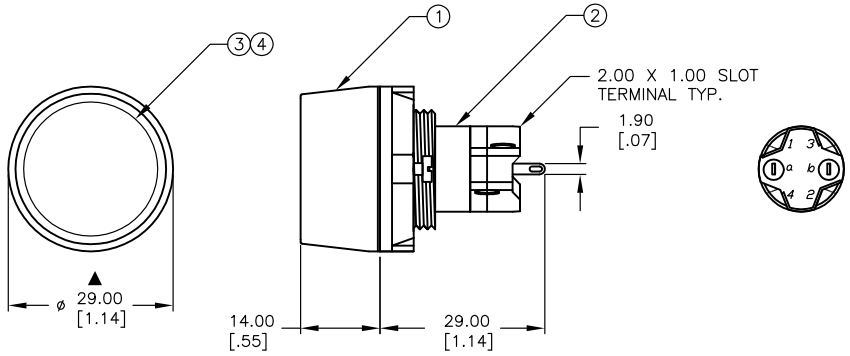
SHEET 1 OF 1

| PARTS LIST | | | | |
|------------|------|----------|-------------------------|--|
| Item | Qty. | Dwg. No. | Part No. | |
| 1 | 1 | F051701 | 29mm RING FOR LA SERIES | |
| 2 | 1 | F060610 | LASOAU110 | |
| 3 | 1 | F060295 | 29mm RED LENS | |
| 4 | 1 | F050417 | 50-004-17 RED LAMP | |



1 o 1 o 2
 3 o o 4
 a-(L)-b (+)

SPST
 CONTACT CONFIGURATION



NOTES:

1. ALL DIMENSIONS IN MM [INCH]
2. GENERAL TOLERANCE: X.X=±0.4
X.XX=±0.25
3. RATINGS: 250VAC @1A, 2A, 4A, 5A
- ▲ 4. LAMP VOLTAGE: 6VDC
5. ▲ DENOTES CRITICAL PARAMETER.

E-SWITCH®

| REV. | ECN No. | DESCRIPTION | DATE | CHKD |
|------|---------|-------------------------|---------|------|
| A | 13497 | RELEASED FOR PRODUCTION | 10/1/03 | AR |

| TITLE | | | | |
|-----------------|---------|----|---------|-----|
| LASOAU11HREDRED | | | | |
| SCALE | DATE | DR | DWG | REV |
| 1:1 | 10/1/03 | AR | XF0569P | A |

THE INFORMATION CONTAINED IN THIS DOCUMENT IS PROPRIETARY TO E-SWITCH AND IS NOT TO BE COPIED OR TRANSFERRED