

Excellent Integrated System Limited

Stocking Distributor

Click to view price, real time Inventory, Delivery & Lifecycle Information:

[E-Switch](#)
[LASOAV11FGRNGRN](#)

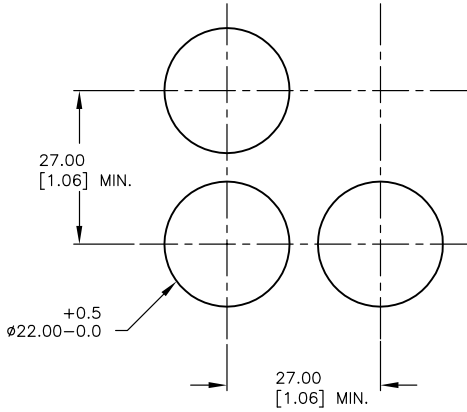
For any questions, you can email us directly:

sales@integrated-circuit.com

SHEET OF

PARTS LIST

Item	Qty.	Dwg. No.	Part No.
1	1	F051702	25mm RING FOR LA SERIES
2	1	F060606	LASOAV110
3	1	F060254	25mm GREEN LENS
4	1	F050411	50-004-11 (GREEN NEON LAMP)



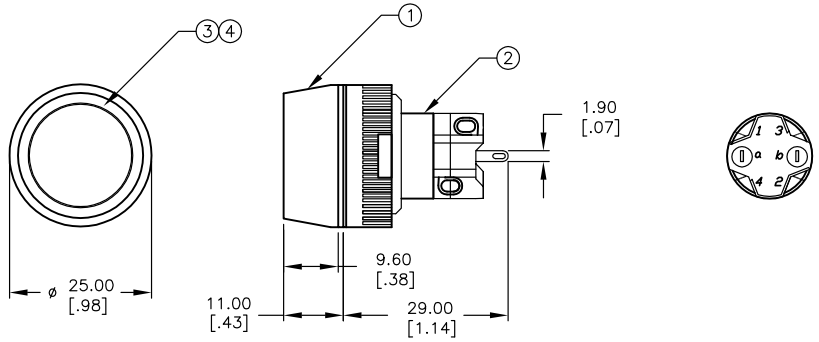
RECOMMENDED PANEL MOUNTING

1 o | o 2
 3 o o 4
 a - (L) - b (+)

SPST
 CONTACT CONFIGURATION

NOTES:

1. ALL DIMENSIONS IN MM
2. GENERAL TOLERANCE: X.X=±0.4
X.XX=±0.25
3. RATINGS: 5A@250V AC,
8A@125V AC
4. CONTACT MATERIAL: COPPER ALLOY W/Gold Plating
5. TRAVEL: 3.0mm (Total) 2.0mm (Latch)
6. MECHANICAL LIFE: >100,000 Cycles
7. ELECTRICAL LIFE: >50,000 Cycles
8. INSULATION RESISTANCE: >1000 MILLI-OHMS
9. OPERATING TEMP: -20°C to 55°C
- ▲ 10. LAMP VOLTAGE: 110VAC (GREEN NEON)
11. ▲ DENOTES CRITICAL PARAMETER.



E-SWITCH®

TITLE				
LASOAV11FGRNGRN				
SCALE	DATE	DR	DWG	REV
1:1	6/23/04	AR	XF0593P	A

A	14113	RELEASED FOR PRODUCTION	6/23/04	AR
REV.	ECN No.	DESCRIPTION	DATE	CHKD

THE INFORMATION CONTAINED IN THIS DOCUMENT IS PROPRIETARY TO E-SWITCH AND IS NOT TO BE COPIED OR TRANSFERRED