

## Excellent Integrated System Limited

Stocking Distributor

Click to view price, real time Inventory, Delivery & Lifecycle Information:

[E-Switch](#)  
[LASOAV31JGRNWHT](#)

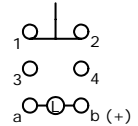
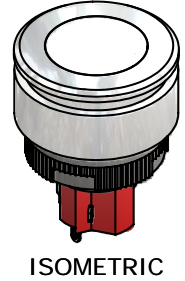
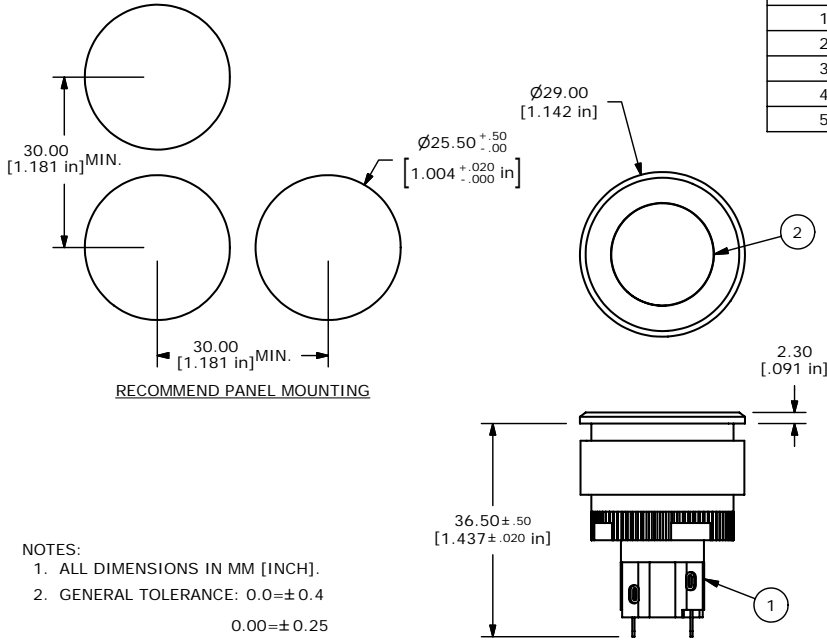
For any questions, you can email us directly:

[sales@integrated-circuit.com](mailto:sales@integrated-circuit.com)

SHEET 1 OF 1

▲ Parts List

ITEM	QTY	PART NUMBER	DESCRIPTION
1	1	F060606	LASOAV11
2	1	F060205	25 MM WHITE LENS
3	1	F051705	29MM FLUSH MOUNT RETAINER
4	1	F051704	29MM FLUSH MOUNT BEZEL
5	1	F050419	GREEN 12VDC LED



- NOTES:
- ALL DIMENSIONS IN MM [INCH].
  - GENERAL TOLERANCE: 0.0±0.4  
0.00±0.25
  - TERM. NOS. FOR REF. ONLY.
  - ▲ RATING: 5A @250VAC  
8A @125VAC  
.2A @250VDC  
6A @24VDC
  - INSULATION: 1,000 MΩ MIN.
  - DIELECTRIC STRENGTH: 2000V FOR 1 MIN.
  - ELECTRICAL LIFE: 50,000 MAKE-AND-BREAK CYCLES  
AT FULL LOAD.
  - OPERATING TEMP: -25C TO +55C
  - PANEL THICKNESS: 0.5MM TO 3.0MM
  - ▲ LED VOLTAGE: 12VDC GREEN
  - ▲ DENOTES CRITICAL PARAMETER.
  - ▲ PACKAGE: BOX/10 PER
  - 2002/95/EC (ROHS) COMPLIANT



A	17001	RELEASED FOR PRODUCTION	2/16/07	TN
REV	PCR NO	DESCRIPTION	DATE	BY

TITLE LASOAV31JGRNWHT				
SCALE 1:1	DATE 2/16/2007	DR TN	DWG XF0712P	REV A

THE INFORMATION CONTAINED IN THIS DOCUMENT IS PROPRIETARY TO E-SWITCH AND IS NOT TO BE COPIED OR TRANSFERRED