

Excellent Integrated System Limited

Stocking Distributor

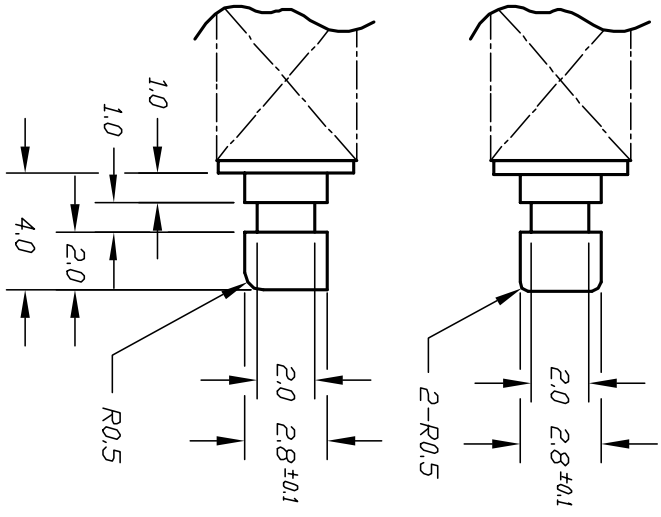
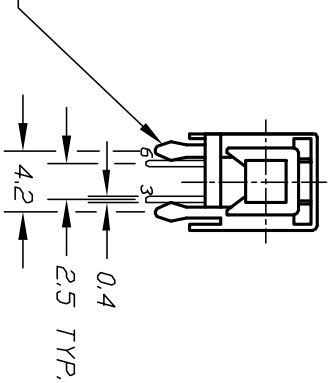
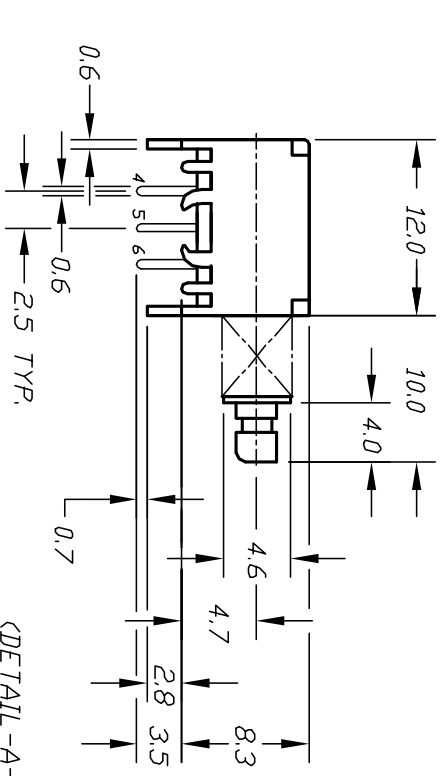
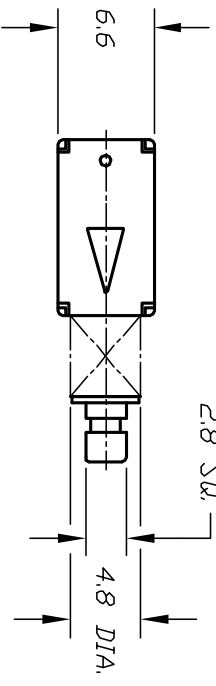
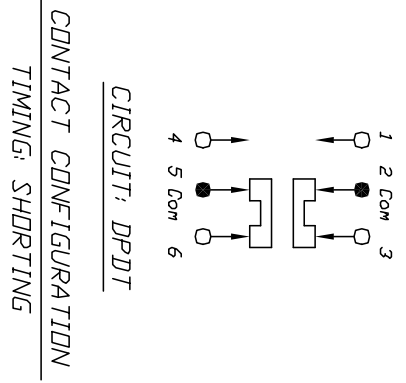
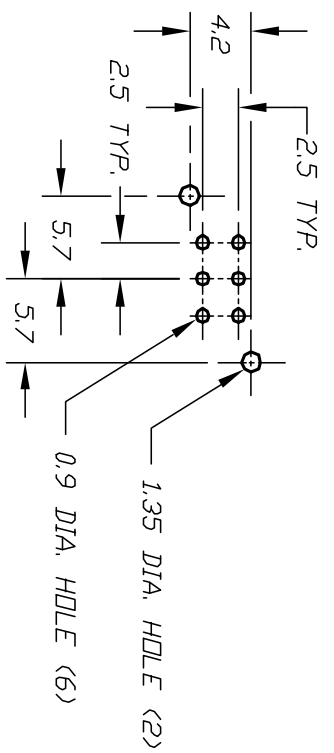
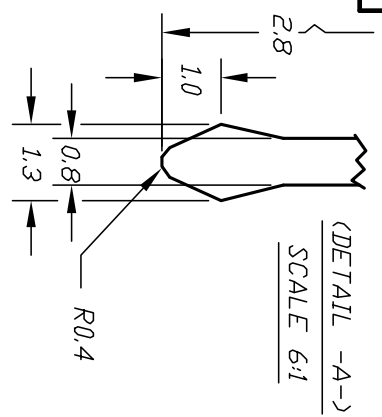
Click to view price, real time Inventory, Delivery & Lifecycle Information:

[E-Switch](#)
[LC2259EESP](#)

For any questions, you can email us directly:

sales@integrated-circuit.com

SHEET 0F



NOTES:

1. ALL DIMENSIONS IN MM (IN)
2. TERM. NOS. FOR REF ONLY
3. RATING: DC 30V, 0.3A
4. OPERATING FORCE: 330±100gf
5. TRAVEL: FULL 3.5mm, LOCK 2.5mm

REV.	A	RELEASED FOR PRODUCTION	DATE	CHKD
DESCRIPTION				
THE INFORMATION CONTAINED IN THIS DOCUMENT IS PROPRIETARY TO E-SWITCH AND IS NOT TO BE COPIED OR TRANSMITTED				

TOLERANCES	
0.0	±0.4
0.00	±0.25

TITLE	LC 2259 EE S P			
SCALE	2:1	DATE	12/9/96	DR
				MM
				DWG
				P070235
REV	A			

E-SWITCH®