

## Excellent Integrated System Limited

Stocking Distributor

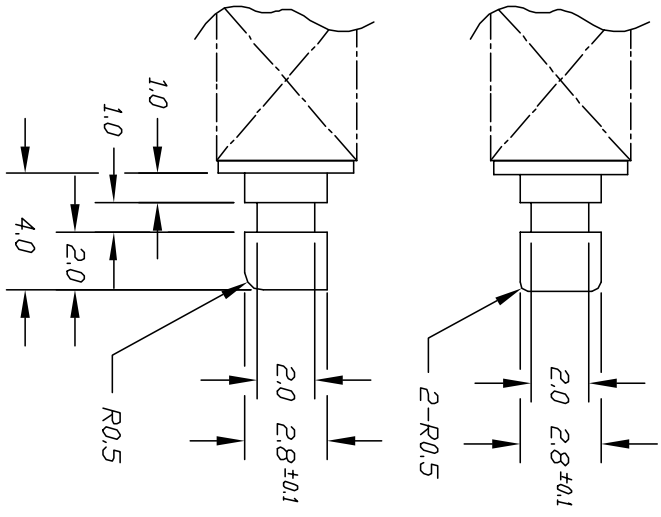
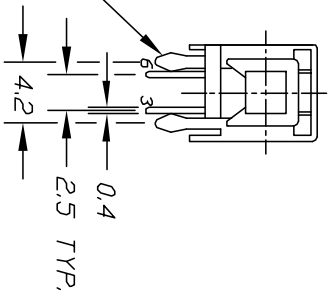
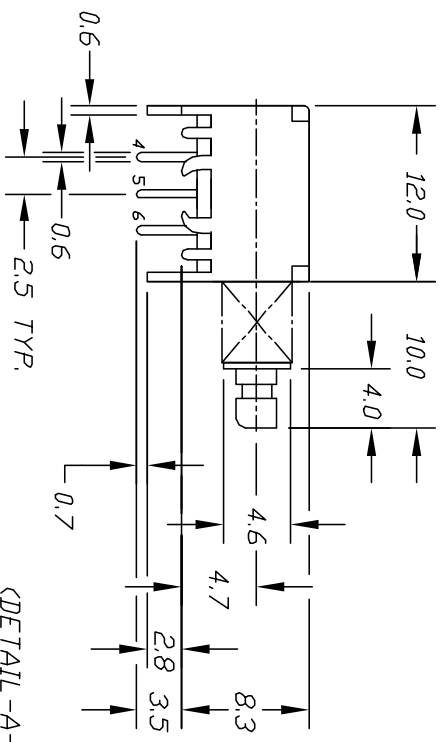
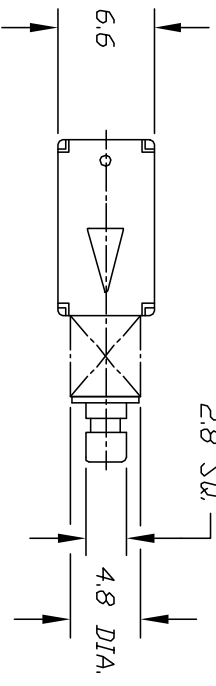
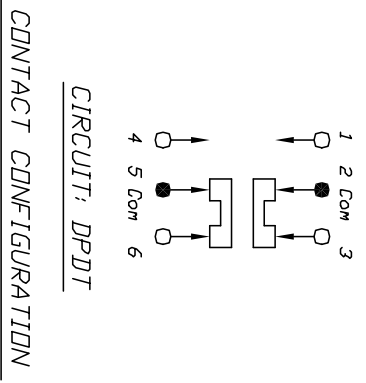
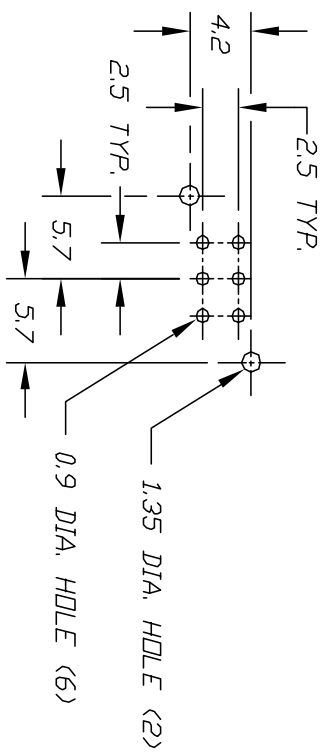
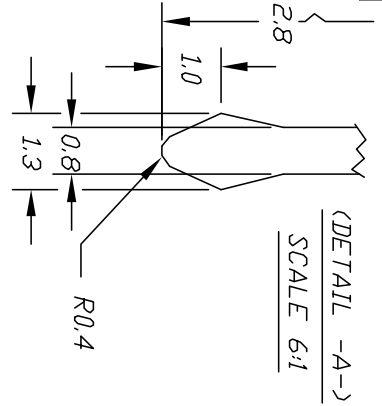
Click to view price, real time Inventory, Delivery & Lifecycle Information:

[E-Switch](#)  
[LC2259OANP](#)

For any questions, you can email us directly:

[sales@integrated-circuit.com](mailto:sales@integrated-circuit.com)

SHEET 0F



NOTES:

1. ALL DIMENSIONS IN MM (IN)
2. TERM. NOS. FOR REF ONLY
3. RATING: DC 30V, 0.3A
4. OPERATING FORCE: 330±100gf
5. TRAVEL: FULL 3.5mm

C	REVISED & REDRAWN	DATE	CHKD
REV.	DESCRIPTION	DATE	CHKD

THE INFORMATION CONTAINED IN THIS DOCUMENT IS PROPRIETARY TO E-SWITCH AND IS NOT TO BE COPIED OR TRANSMITTED

TOLERANCES	
0.0	±0.4
0.00	±0.25

TITLE	LC 2259 DA N P
SCALE	2:1
DATE	11/7/96
DR	MM
DWG	P020100
REV	C

**E-SWITCH®**