

Excellent Integrated System Limited

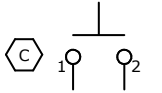
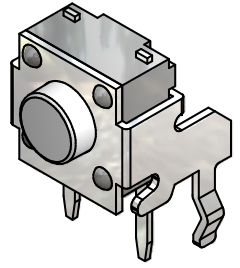
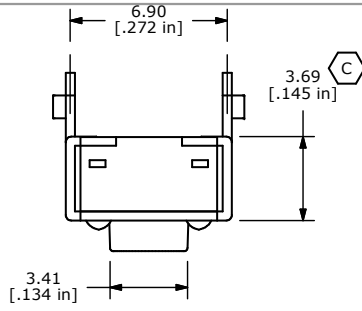
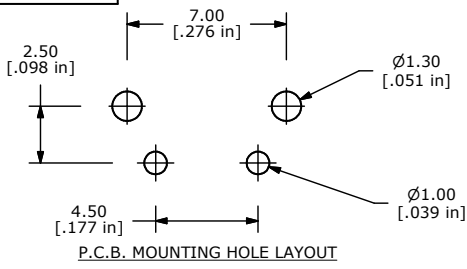
Stocking Distributor

Click to view price, real time Inventory, Delivery & Lifecycle Information:

[E-Switch](#)
[LL1105VF065Q](#)

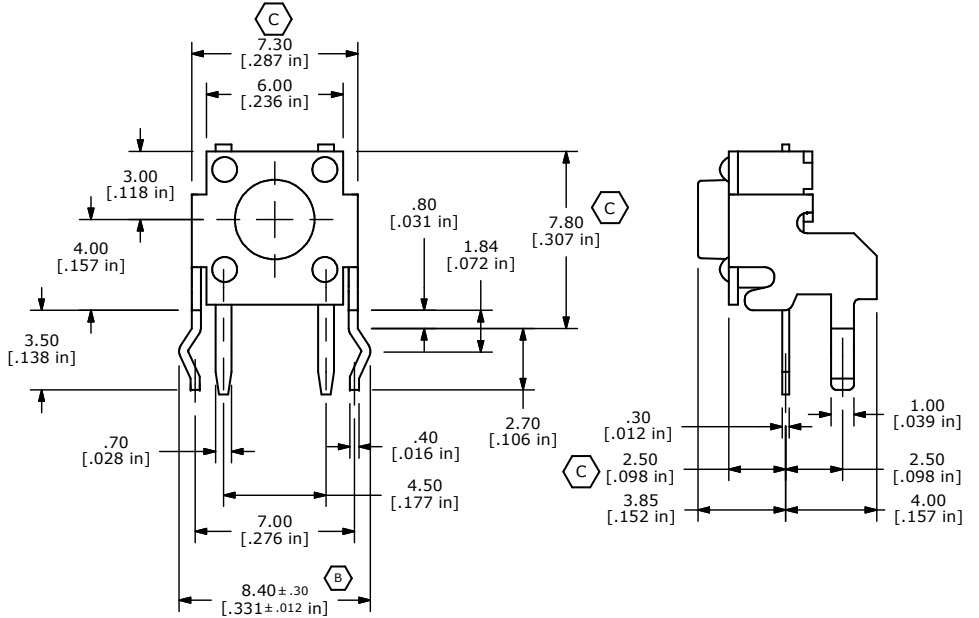
For any questions, you can email us directly:
sales@integrated-circuit.com

SHEET 1 OF 1



CIRCUIT: SPST

- NOTES:
1. ALL DIMENSIONS IN MM [INCH]
 2. GENERAL TOLERANCE: x.xx ± 0.4
x.xx ± 0.25
 3. TERM. NOS. FOR REF. ONLY
 4. RATING: 50mA, @12V DC
 5. TRAVEL: 0.25± 0.1mm
 6. CONTACT RESISTANCE: 50m ohms max initial.MOS & TTC COMPATIBLE
 7. ELECTRICAL LIFE: 5,000,000 CYCLES MIN.
 8. INSULTION RESISTANCE: 100M ohms min.
 9. DIELECTRIC STRENGTH: 250VA
 10. OPERATING TEMP.: -30°C to 85°C
 11. ▲ DENOTES CRITICAL PARAMETER
 - ▲ 12. CONTACTS: SILVER PLATED
 - ▲ 13. OPENING FORCE: 65± 20 GRAMS
 14. PACKAGING: 1000 PCS PER POLYBAG



C	20784	UPDATE AND CORRECT DIMS	9/27/12	EBP
B	18742	LEG TOLERANCE WAS +/- 0.1	1/4/2010	BLR
A	16116	NEW PART RELEASE	6/13/06	CT
REV	PCR NO	DESCRIPTION	DATE	BY

THE INFORMATION CONTAINED IN THIS DOCUMENT IS PROPRIETARY TO E-SWITCH AND IS NOT TO BE COPIED OR TRANSFERRED

TITLE LL1105VF065Q			
SCALE 4:1	DATE 1/4/2010	DR BLR	DWG P090004
			REV C