

Excellent Integrated System Limited

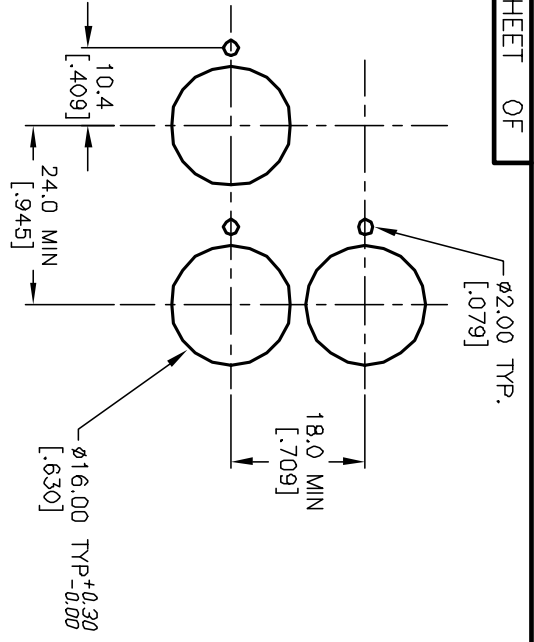
Stocking Distributor

Click to view price, real time Inventory, Delivery & Lifecycle Information:

[E-Switch](#)
[P16EET11HREDRED](#)

For any questions, you can email us directly:
sales@integrated-circuit.com

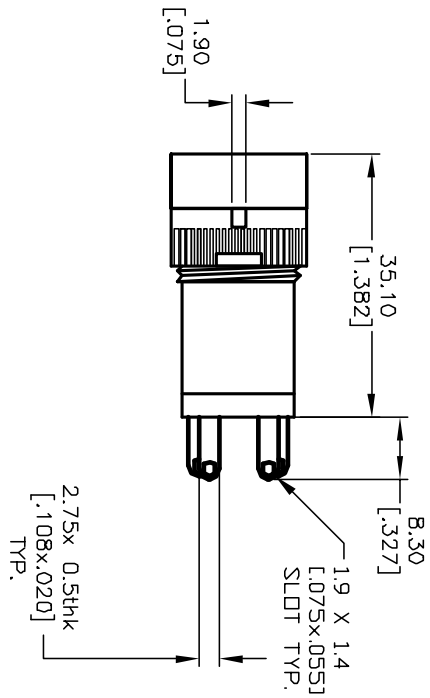
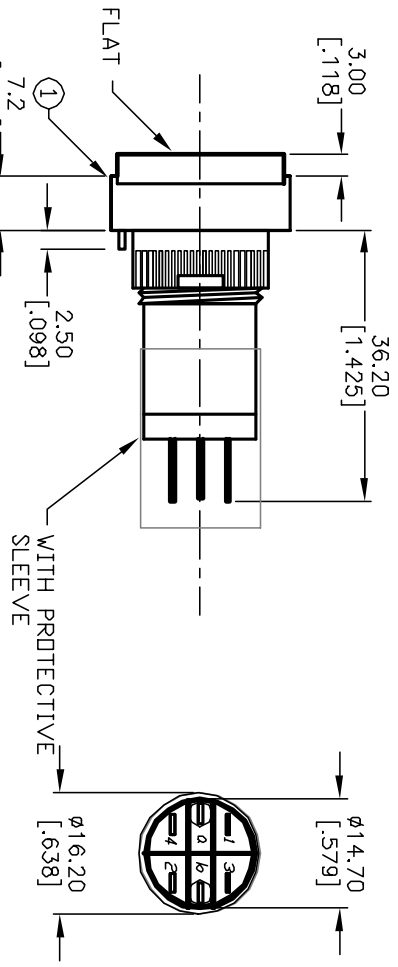
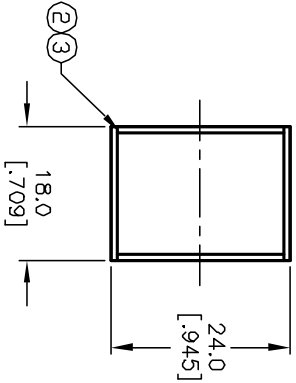
SHEET OF



RECOMMEND PANEL MOUNTING

1 ϕ ϕ 2
3 ϕ 4
a-L-b (+)

SPST
CONTACT CONFIGURATION



PARTS LIST			
ITEM	QTY.	PART NO.	PART DESCRIPTION
1	1	F040013	P16 EE T11
2	1	F050417	50-004-17 (RED LED)
3	1	F050214	50-002-14 (RED LENS TRANSPARENT)
4	1	F051601	P16 TERMINAL PROTECTOR

- NOTES:
1. ALL DIMENSIONS IN MM [INCH]
 2. GENERAL TOLERANCE: X.X=±0.4
X.XX=±0.25
 3. TERM. NOS. FOR REFERENCE ONLY.
 4. RATING: 5A@250V AC / 8A@125V AC
 5. MECHANICAL LIFETIME: >2 MILLION OPERATIONS
 6. TRAVEL: 3.0MM
 7. CONTACT MATERIAL: COPPER ALLOY W/SILVER PLATING
 8. LAMP VOLTAGE: 6V DC

REV.	ECN No.	DESCRIPTION	DATE	CHKD
A	12746	RELEASED FOR PRODUCTION	1/21/03	CB

TITLE	SCALE	DATE	DR	DWG	REV
P16 EE T11 H RED RED (LATCHING)	1.5:1	1/21/03	CB	XF0538P	A

E-SWITCH®

THE INFORMATION CONTAINED IN THIS DOCUMENT IS PROPRIETARY TO E-SWITCH AND IS NOT TO BE COPIED OR TRANSMITTED