

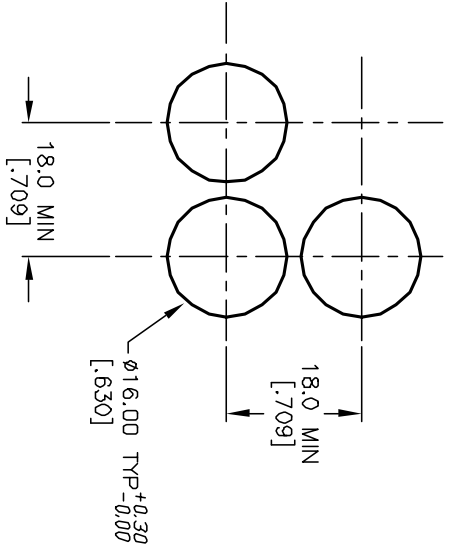
Excellent Integrated System Limited

Stocking Distributor

Click to view price, real time Inventory, Delivery & Lifecycle Information:

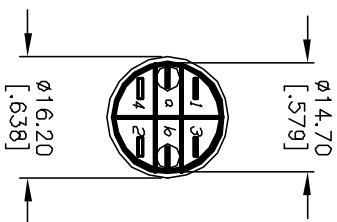
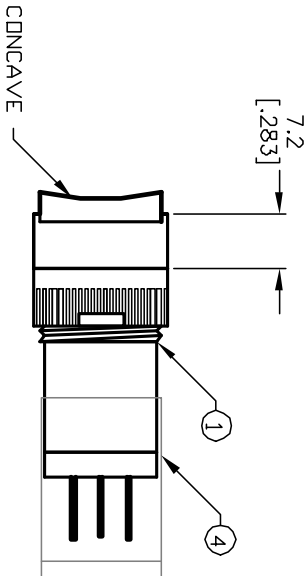
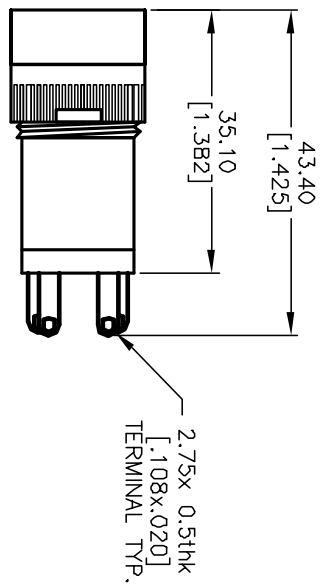
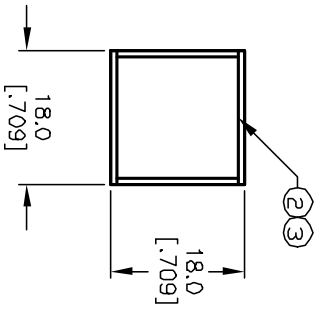
[E-Switch](#)
[P16OAS11KREDRED](#)

For any questions, you can email us directly:
sales@integrated-circuit.com



RECOMMEND PANEL MOUNTING

1 0 0 2
3 0 0 4
α-L-b (+)



SPST
CONTACT CONFIGURATION

NOTES:

1. ALL DIMENSIONS IN MM [INCH]
2. GENERAL TOLERANCE: X.X=±0.4
X.XX=±0.25
3. TERM. NOS. FOR REFERENCE ONLY.
4. RATING: 5A@250V AC;
8A@125V AC
5. MECHANICAL LIFETIME: >2 MILLION OPERATIONS
6. TRAVEL: 3.0MM (TOTAL)
7. CONTACT MATERIAL: COPPER ALLOY W/SILVER PLATING
8. LAMP VOLTAGE: 24V DC

PARTS LIST

ITEM	QTY.	PART NO.	PART DESCRIPTION
1	1	F040010	P16 OA S11
2	1	F050423	50-004-23 (RED L.E.D.)
3	1	F050304	50-003-04 (RED LENS TRANSPARENT)
4	1	F051601	P16 PLASTIC TERMINAL PROTECTOR

E-SWITCH®

TITLE
P16 OA S11 K RED RED
TRANSPARENT /CONCAVE LENS

SCALE
1.5:1

DATE
--

DR
--

DWG
XF0029P

REV.	ECN NO.	DESCRIPTION	DATE	CHKD
A	12576	RELEASED FOR PRODUCTION	2/5/03	CB

THE INFORMATION CONTAINED IN THIS DOCUMENT IS PROPRIETARY TO E-SWITCH AND IS NOT TO BE COPIED OR TRANSMITTED