

## Excellent Integrated System Limited

Stocking Distributor

Click to view price, real time Inventory, Delivery & Lifecycle Information:

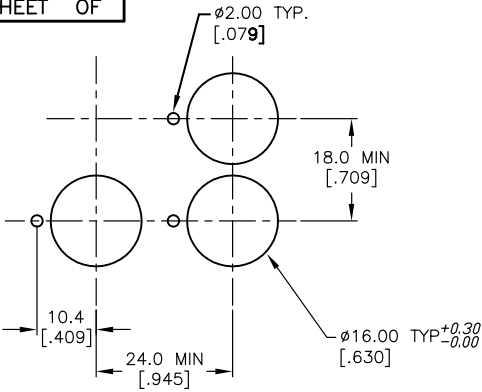
[E-Switch](#)  
[P16OAT210RED](#)

For any questions, you can email us directly:

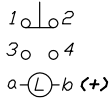
[sales@integrated-circuit.com](mailto:sales@integrated-circuit.com)

SHEET OF

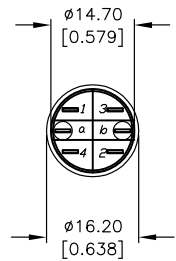
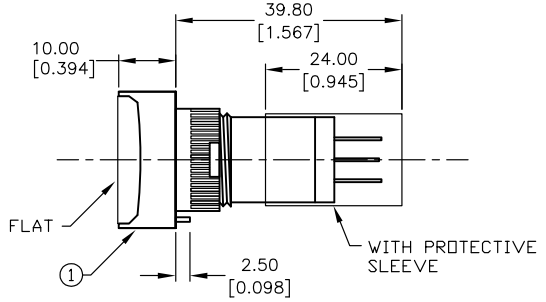
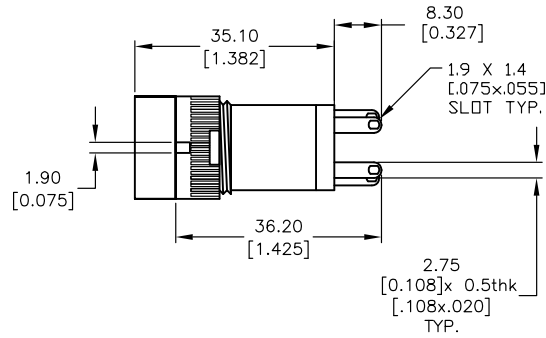
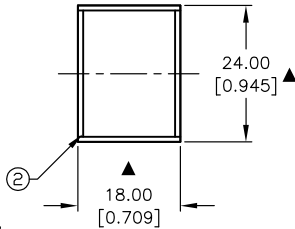
PARTS LIST			
ITEM	QTY.	PART NO.	PART DESCRIPTION
1	1	F040500	P16 OA T21
2	1	F052214	50-002-14(RE D LENS OPAQUE)



RECOMMEND PANEL MOUNTING



SPST  
CONTACT CONFIGURATION



NOTES:

1. ALL DIMENSIONS IN MM [INCH]
2. GENERAL TOLERANCE: X.X=±0.4  
X.XX=±0.25
3. TERM. NOS. FOR REFERENCE ONLY.
4. RATING: 5A@250V AC / 8A@125V AC
5. MECHANICAL LIFETIME: >2 MILLION OPERATIONS
6. TRAVEL: 3.0MM
7. CONTACT MATERIAL: COPPER ALLOY W/SILVER PLATING
- ▲ 8. LAMP VOLTAGE: NO LAMP
- ▲ 9. ▲ DENOTES CRITICAL PARAMETER.

**E-SWITCH®**

REV.	ECN No.	DESCRIPTION	DATE	CHKD
A	10897	RELEASED FOR PRODUCTION	9/24/03	AR

TITLE				
P16OAT210RED OPAQUE				
SCALE	DATE	DR	DWG	REV
1.5:1	9/24/03	AR	XF0568P	A

THE INFORMATION CONTAINED IN THIS DOCUMENT IS PROPRIETARY TO E-SWITCH AND IS NOT TO BE COPIED OR TRANSFERRED