

## Excellent Integrated System Limited

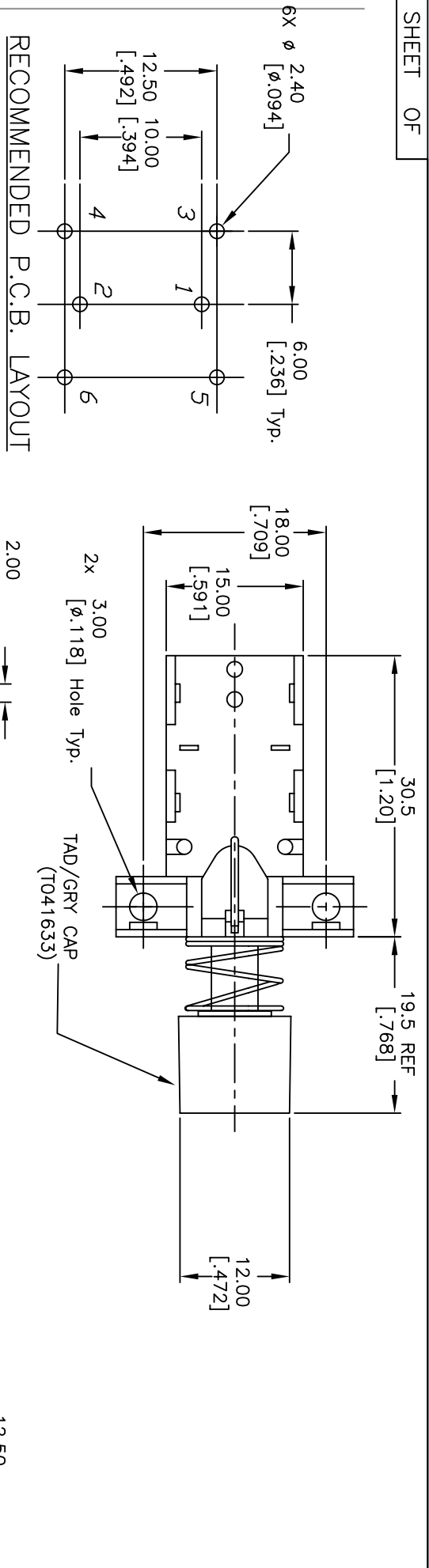
Stocking Distributor

Click to view price, real time Inventory, Delivery & Lifecycle Information:

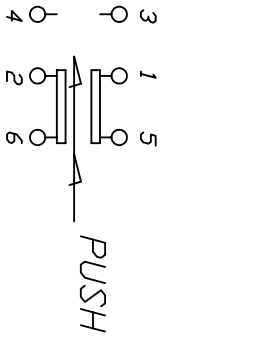
[E-Switch](#)  
[P227EE2A18ATADGRY](#)

For any questions, you can email us directly:

[sales@integrated-circuit.com](mailto:sales@integrated-circuit.com)



RECOMMENDED P.C.B. LAYOUT



CIRCUIT: DPDT  
CONTACT CONFIGURATION

NOTES:

1. ALL DIMENSIONS IN MM [INCH]
2. GENERAL TOLERANCE: X.X=±0.4 X.XX=±0.25
3. TERM. NOS. FOR REFERENCE ONLY.
4. CONTACT MATERIAL: COPPER ALLOY W/ SILVER PLATE
5. RATING: 7A@ 125V, 4A@ 250
6. CONTACT RESISTANCE: 20MΩ MAX @ 5V DC 1A
7. DIELECTRIC STRENGTH: AC 1500V RMS
8. OPERATING FORCE: 550±150gf TYP.
9. TRAVEL: FULL:5.5, LOCK:4.0

REV.	ECN No.	DESCRIPTION	DATE	CHKD
B	15626	NEW TOOLING FOR CAP	12/21/05	PH
A	13141	RELEASED FOR PRODUCTION	5/14/03	AR

SCALE	DATE	DR	DWG	REV
1.5:1	5/17/03	AR	XP0179A	B

**E-SWITCH®**

P227EE2A18ATADGRY

THE INFORMATION CONTAINED IN THIS DOCUMENT IS PROPRIETARY TO E-SWITCH AND IS NOT TO BE COPIED OR TRANSMITTED