

Excellent Integrated System Limited

Stocking Distributor

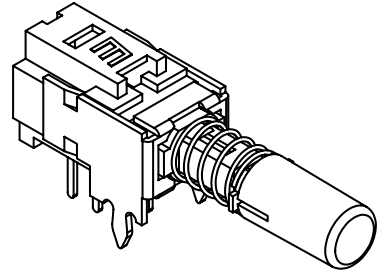
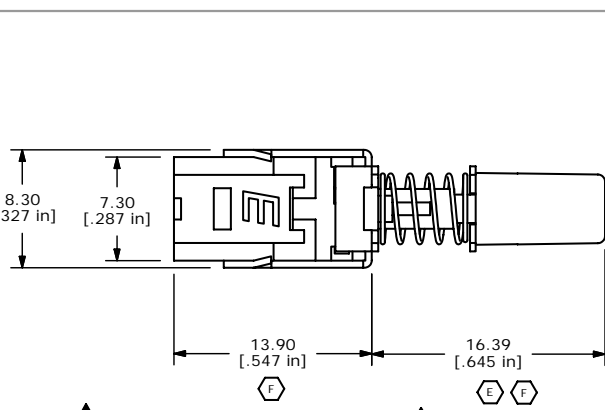
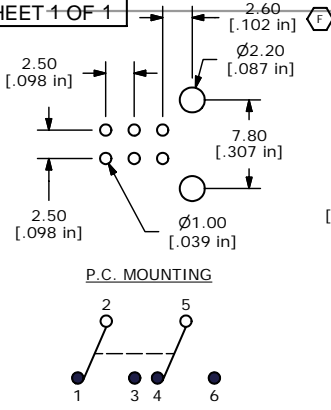
Click to view price, real time Inventory, Delivery & Lifecycle Information:

[E-Switch](#)
[PBH2UEEKZXNAG1RBLK](#)

For any questions, you can email us directly:

sales@integrated-circuit.com

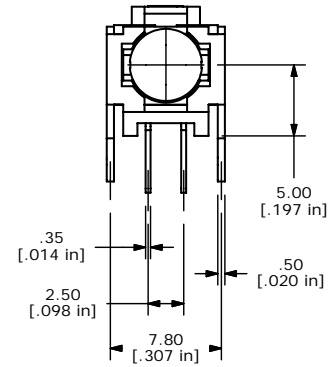
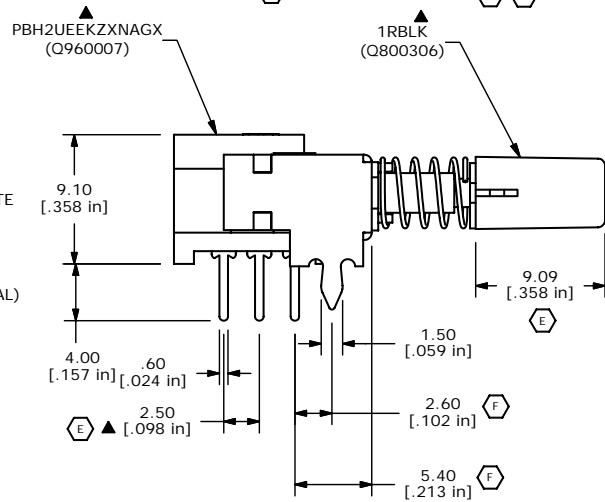
SHEET 1 OF 1



ISOMETRIC

- NOTES:
 1. ALL DIMENSIONS IN MM [INCH]
 2. GENERAL TOLERANCE: X.X=±0.4
 X.XX=±0.25
 3. TERM. NOS. FOR REFERENCE ONLY.
 4. RATING 0.1A @30V DC

- ▲ 5. MATERIALS:
 CONTACT/TERMINALS: SILVER PLATE
 HOUSING: PBT UL94HB
 BASE: PA66 UL94HB
 ACTUATOR: POM
 CAP: ABS UL94V0
 6. CONTACT RESISTANCE: 100 mΩ (INITIAL)
 ▲ 7. TIMING: NON-SHORTING
 8. OPERATING FORCE: 230±50GF
 9. TRAVEL: LATCHING
 2MM TO LOCK
 3MM OVERALL
 10. ELECTRICAL LIFE: 10000 CYCLES
 11. OPERATING TEMP: -20°C TO +70°C
 12. 2002/95/EC (ROHS) COMPLIANT
 13. ▲ DENOTES CRITICAL PARAMETER.



F	15942	MOVE KZX 0.45MM CLOSER TO SWITCH	4/4/06	BK
E	15681	CHANGES NOTED	1/16/06	PH
D	15336	ADDED ROHS NOTE, EDIT PC MOUNT.	9/27/05	PH
C	15260	REVISED CAP DESCRIPTION, NOTE 5	9/8/05	PH
B	15213	CHANGES TO NOTE 9	8/29/05	PH
A	15108	RELEASED FOR PRODUCTION	8/4/05	BK
REV	PCR NO	DESCRIPTION	DATE	BY



TITLE PBH2UEEKZXNAG1RBLK

SCALE	DATE	DR	DWG	REV
2.5:1	08/04/05	BK	XQ0010P	F

THE INFORMATION CONTAINED IN THIS DOCUMENT IS PROPRIETARY TO E-SWITCH AND IS NOT TO BE COPIED OR TRANSFERRED