

Excellent Integrated System Limited

Stocking Distributor

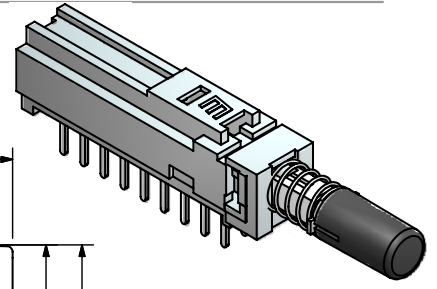
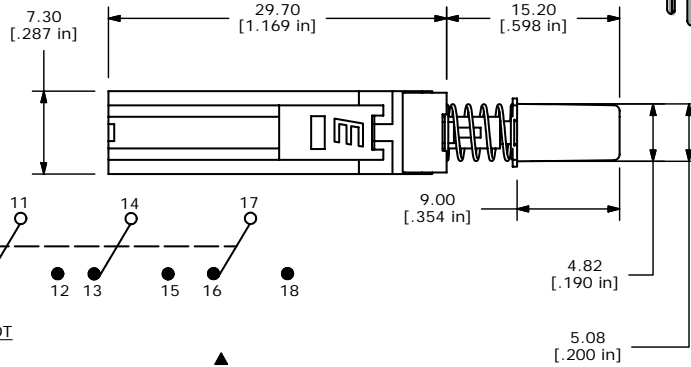
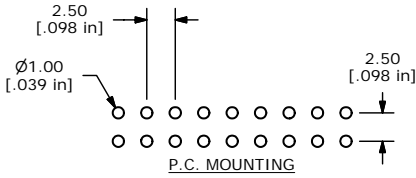
Click to view price, real time Inventory, Delivery & Lifecycle Information:

[E-Switch](#)
[PBH6UEENAG1RBLK](#)

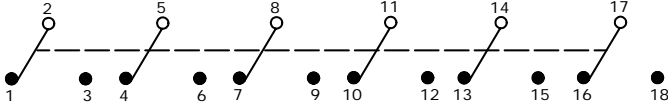
For any questions, you can email us directly:

sales@integrated-circuit.com

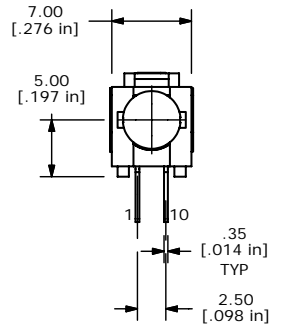
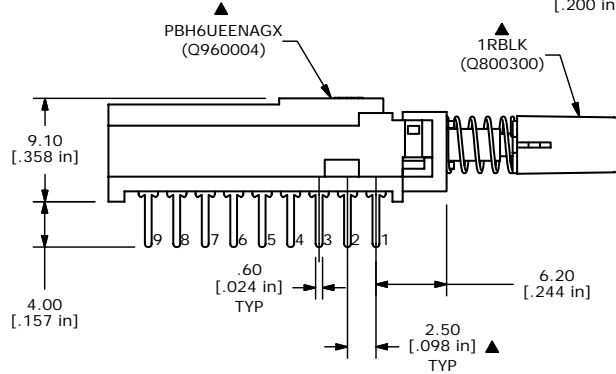
SHEET 1 OF 1



ISOMETRIC



- NOTES:
1. ALL DIMENSIONS IN MM [INCH]
 2. GENERAL TOLERANCE: X.X=±0.4
X.XX=±0.25
 3. TERM. NOS. FOR REFERENCE ONLY.
 4. RATING 0.1A @30V DC
 - ▲5. MATERIALS:
CONTACT/TERMINALS: SILVER PLATE
HOUSING: PBT UL94HB
BASE: PA66 UL94HB
ACTUATOR: POM
CAP: ABS UL94V0
 6. CONTACT RESISTANCE: 100 MILLI-OHM (INITIAL)
 - ▲7. TIMING: NON-SHORTING
 8. OPERATING FORCE: 380±50GF
 9. TRAVEL: LATCHING
2MM TO LOCK
3MM OVERALL
 10. ELECTRICAL LIFE: 10000 CYCLES
 11. OPERATING TEMP: -20°C TO +70°C
 12. 2002/95/EC (ROHS) COMPLIANT
 13. ▲DENOTES CRITICAL PARAMETER.



A	16765	RELEASED FOR PRODUCTION	12/15/06	TN
REV	PCR NO	DESCRIPTION	DATE	BY

THE INFORMATION CONTAINED IN THIS DOCUMENT IS PROPRIETARY TO E-SWITCH AND IS NOT TO BE COPIED OR TRANSFERRED

TITLE PBH6UEENAG1RBLK				
SCALE 2:1	DATE 12/15/2006	DR TN	DWG XQ0027P	REV A