

Excellent Integrated System Limited

Stocking Distributor

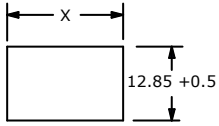
Click to view price, real time Inventory, Delivery & Lifecycle Information:

[E-Switch](#)
[R1966ABLKWHOTESYEL](#)

For any questions, you can email us directly:

sales@integrated-circuit.com

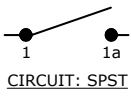
SHEET 1 OF 1



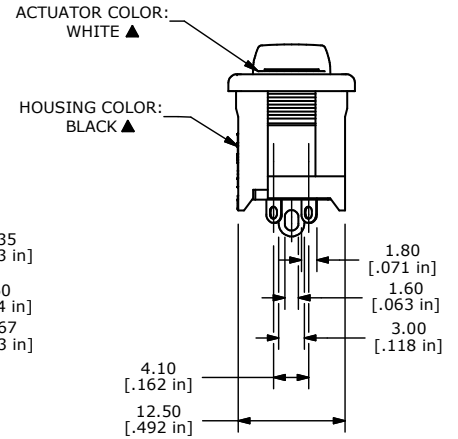
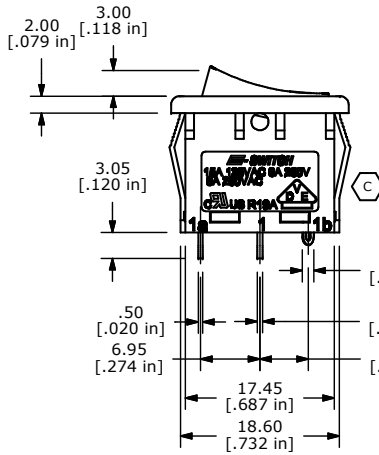
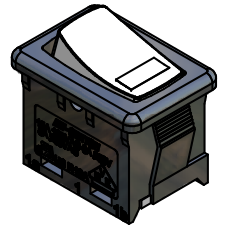
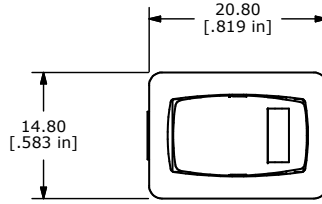
RECOMMENDED PANEL MOUNTING

PANEL THICKNESS	X
0.75-1.25	19.2-19.3
1.25-2.00	19.3-19.4
2.00-3.00	19.5-19.6

SWITCH FUNCTION		
POS. 1	POS. 2	POS. 3
ON	NONE	OFF
1-1a	N/A	OPEN



- NOTES:
- ALL DIMENSIONS IN MM [INCH]
 - GENERAL TOLERANCE: X.X=±0.4
X.XX=±0.25
 - TERM. NOS. FOR REF. ONLY
 - RATING: 15A@125VAC
8A@250VAC
 - LAMP VOLTAGE: 3VDC
 - MATERIAL:
CONTACT SURFACE: GOLD OVER SILVER PLATE
 - ELECTRICAL LIFE: 10,000 CYCLES
 - CONTACT RESISTANCE: <20 MILLI-OHMS INITIAL
 - DIELECTRIC STRENGTH: >1,500V AC 1 MIN
 - ▲ DENOTES CRITICAL PARAMETER.
 - 2002/95/EC (RoHS) COMPLIANT



REV	PCR NO	DESCRIPTION	DATE	BY
C	19359	UPDATED HOUSING	10/15/10	BMA
B	15705	REMOVED TERMINAL INFO FROM NOTES	1/25/06	PH
A	15628	RELEASED FOR PRODUCTION	1/3/06	PH

THE INFORMATION CONTAINED IN THIS DOCUMENT IS PROPRIETARY TO E-SWITCH AND IS NOT TO BE COPIED OR TRANSFERRED

E-SWITCH®		LAMB INDUSTRIES	
TITLE R1966ABLKWHOTESYEL (w/GOLD CONTACTS)			
SCALE	DATE	DR	DWG
1.5:1	1/3/2006	PH	M300009
			REV C