

Excellent Integrated System Limited

Stocking Distributor

Click to view price, real time Inventory, Delivery & Lifecycle Information:

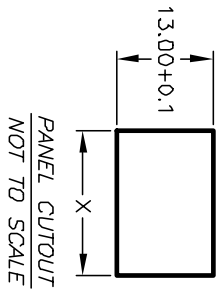
[E-Switch](#)
[R1966AGRYGRYEFGRN](#)

For any questions, you can email us directly:

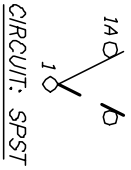
sales@integrated-circuit.com

SHEET OF

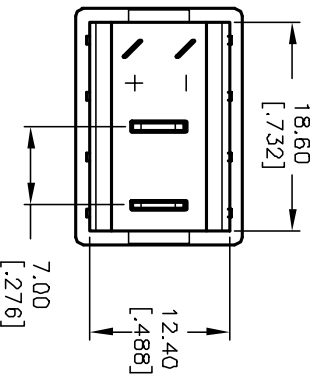
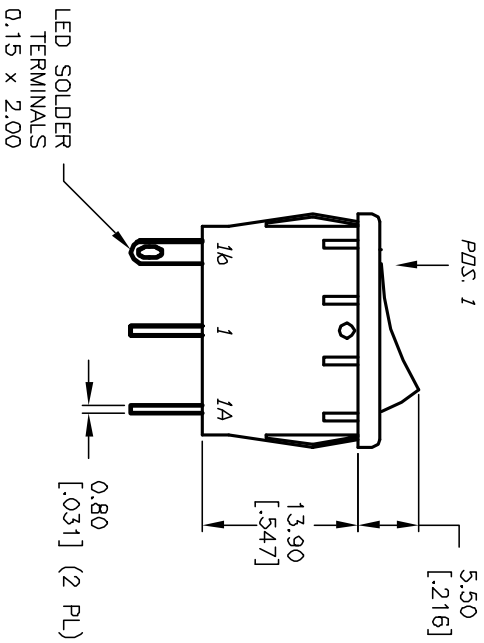
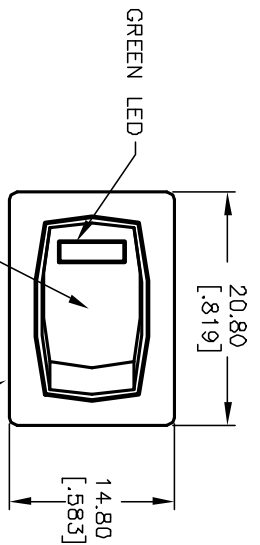
PANEL THICKNESS	X dimension
0.75-1.25 [.030-.049]	19.2-01 [.756]
1.25-2.0 [.049-.079]	19.4-01 [.764]
2.0-3.0 [.079-.118]	19.8-01 [.780]



SWITCH FUNCTION	
PDS. 1	PDS. 2
DN	OFF
1-1a	OPEN

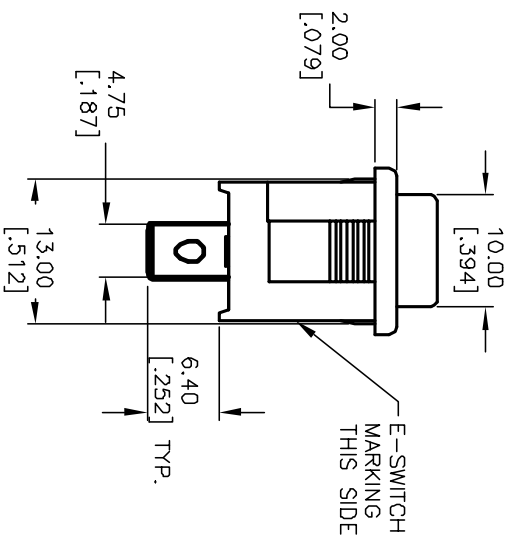


- NOTES:
1. ALL DIMENSIONS IN MM [INCH]
 2. GENERAL TOLERANCE: X.X=±0.4
X.XX=±0.25
 3. TERMINAL NUMBERS FOR REF ONLY
 4. RATING: 15A @ 125VAC OR 6A @ 250VAC
 5. MATERIALS: (TERMINALS) SILVER PLATED COPPER
(CONTACTS) COIN SILVER, SILVER PLATED.
 6. CONTACT RESISTANCE: <20 Mega
 7. ELECTRICAL LIFE: 10,000 cycles
 8. INSULATION RESISTANCE: >1000 Mega
 9. DIELECTRIC STRENGTH: >1500V 1 minute
>3000V between Poles
 10. OPERATING TEMP. RANGE: -25°C to +85°C



(B) GREEN L.E.D

PARAMETERS	SYMBOL	MAX.	TYP.	UNITS
POWER DISSIPATION	P _d	80		mW
Avg FORWARD CURRENT	I _{AF}	--		mA
PEAK FORWARD CURRENT	I _{PF}	100		mA
REVERSE VOLTAGE	V _R	5		V
FORWARD VOLTAGE	V _F	2.6	2	V
REVERSE CURRENT	I _R		100	µA
EMISSION WAVELENGTH	λ _p		570	nm
LUMINOUS INTENSITY	I _v		30	mcd



REV.	ECN No.	REVISION / PART DESCRIPTION	DATE	CHKD	CJB
B	11666	REVISED / PART DESCRIPTION	9/20/01		

TITLE	SCALE	DATE	DR	DWG	REV
R1966A GRY GRY E F GRN	1.5:1	6/30/00	GLG	M301230	B

E-SWITCH®

THE INFORMATION CONTAINED IN THIS DOCUMENT IS PROPRIETARY TO E-SWITCH AND IS NOT TO BE COPIED OR TRANSMITTED