

Excellent Integrated System Limited

Stocking Distributor

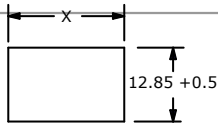
Click to view price, real time Inventory, Delivery & Lifecycle Information:

[E-Switch](#)
[R1966AWHTWHTFS](#)

For any questions, you can email us directly:

sales@integrated-circuit.com

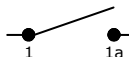
SHEET 1 OF 1



RECOMMENDED PANEL MOUNTING

PANEL THICKNESS	X
0.75-1.25	19.2-19.3
1.25-2.00	19.3-19.4
2.00-3.00	19.5-19.6

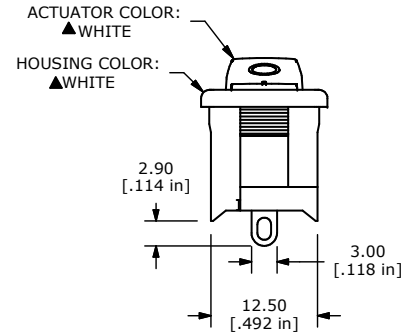
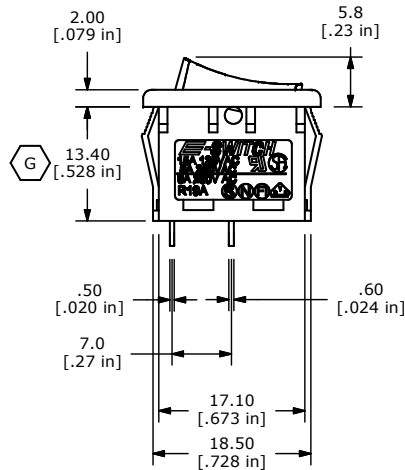
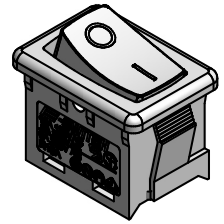
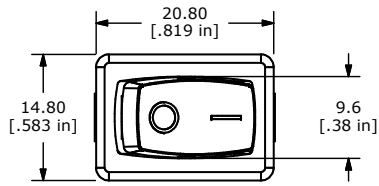
SWITCH FUNCTION		
POS. 1	POS. 2	POS. 3
ON	NONE	OFF
1-1a	N/A	OPEN



CIRCUIT: SPST

NOTES:

1. ALL DIMENSIONS IN MM [INCH]
2. GENERAL TOLERANCE: X.X=±0.4
X.XX=±0.25
3. TERM. NOS. FOR REF. ONLY
4. RATING: 15A@125VAC
8A@250VAC
- ▲5. LAMP VOLTAGE: NO LAMP
6. MATERIAL:
CONTACT SURFACE: GOLD OVER SILVER PLATE
7. ELECTRICAL LIFE: 10,000 CYCLES
8. CONTACT RESISTANCE: <20 MILLI-OHMS INITIAL
9. DIELECTRIC STRENGTH: >1,500V AC 1 MIN
10. ▲ DENOTES CRITICAL PARAMETER.
- ▲11. CONTACTS: 2.5 MICRO INCHES MINIMUM GOLD PLATING (PN: M900000)
12. 2002/95/EC (ROHS) COMPLIANT.



G	21410	13.40 WAS 14.00	3/19/14	EBP
F	19359	UPDATE HOUSING	11/02/10	BMA
E	16153	ADD NOTES 11 AND 12	6/20/06	BK
D	15705	REMOVE TERMINAL INFO FROM NOTES	1/25/06	PH
C	15609	CHANGED TO STD. SILVER RATING	12/15/05	PH
B	15482	EDIT NOTE 6 FROM NICKEL TO SILVER	11/1/05	PH
A	15439	RELEASED FOR PRODUCTION	10/24/05	PH
REV	PCR NO	DESCRIPTION	DATE	BY

THE INFORMATION CONTAINED IN THIS DOCUMENT IS PROPRIETARY TO E-SWITCH AND IS NOT TO BE COPIED OR TRANSFERRED



TITLE R1966AWHTWHTFS (w/Gold Contacts)

SCALE	1.5:1	DATE	9/19/2005	DR	BK	DWG	M300008	REV	G
-------	-------	------	-----------	----	----	-----	---------	-----	---