

## Excellent Integrated System Limited

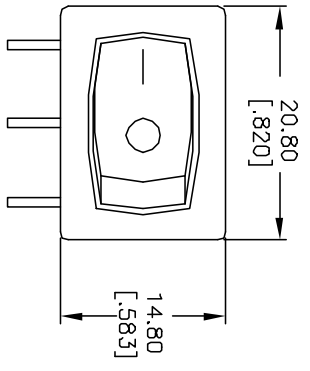
Stocking Distributor

Click to view price, real time Inventory, Delivery & Lifecycle Information:

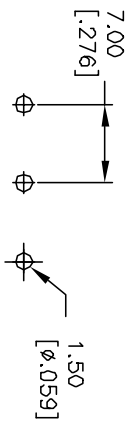
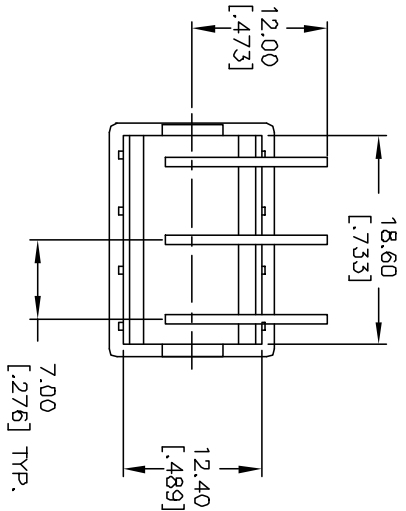
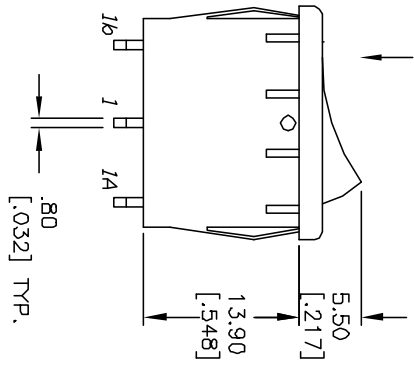
[E-Switch](#)  
[R1966CBLKBLKFL](#)

For any questions, you can email us directly:

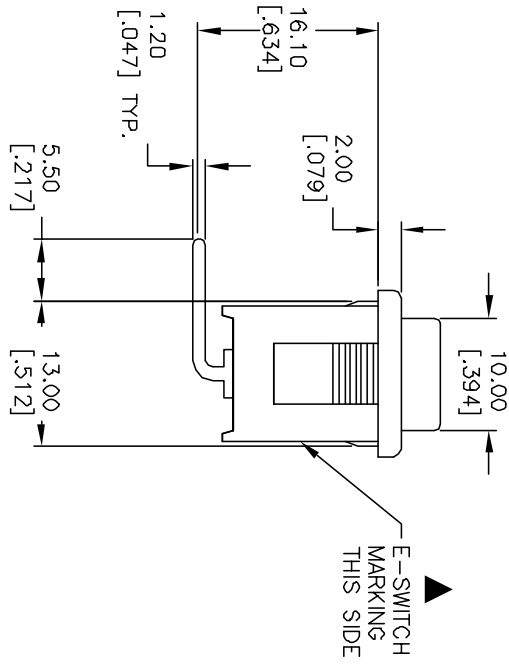
[sales@integrated-circuit.com](mailto:sales@integrated-circuit.com)



POS. 1

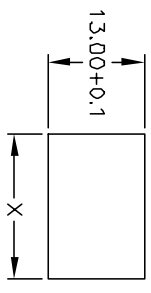


RECOMMENDED P.C.B. LAYOUT



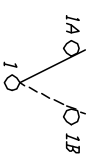
E-SWITCH MARKING THIS SIDE

PANEL THICKNESS	X dimension
0.75-1.25 [0.30-.049]	19.2-.01 [7.56]
1.25-2.0 [0.49-.079]	19.4-.01 [7.64]
2.0-3.0 [0.79-.118]	19.8-.01 [7.80]



PANEL CUTOUT NOT TO SCALE

SWITCH FUNCTION		
POS. 1	POS. 2	POS. 2
DN	NONE	DN
1-1a	OPEN	1-1b



CIRCUIT: SPDT

- NOTES:
1. ALL DIMENSIONS IN MM [INCH]
  2. GENERAL TOLERANCE: X.X=±0.4 X:XX=±0.25
  3. TERMINAL NOS. FOR REF ONLY.
  4. RATING: 15A @ 125VAC OR 6A @ 250VAC
  5. MATERIALS: TERMINALS: Silver Plated Copper Alloy CONTACTS: Coin Silver, Silver Plated
  6. ELECTRIC LIFE: 10,000 cycles
  7. CONTACT RESISTANCE: <20 Mega Ω
  8. INSULATION RESISTANCE: >1000 Mega Ω
  9. DIELECTRIC STRENGTH: >1500 V 1 minute >3000 V between poles



REV.	ECN No.	DESCRIPTION	DATE	CHKD
A	11510	RELEASED FOR PRODUCTION	5/25/01	CB

TITLE	SCALE	DATE	DR	DWG	REV
R1966C BLK BLK FL (L=Left Angle Term)	1.5:1	5/25/01	CB	M302209	A

THE INFORMATION CONTAINED IN THIS DOCUMENT IS PROPRIETARY TO E-SWITCH AND IS NOT TO BE COPIED OR TRANSMITTED