

## Excellent Integrated System Limited

Stocking Distributor

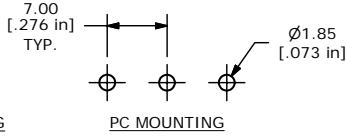
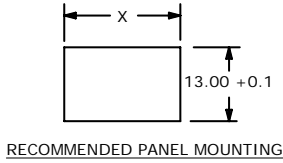
Click to view price, real time Inventory, Delivery & Lifecycle Information:

[E-Switch](#)  
[R1966DBLKBLKFR](#)

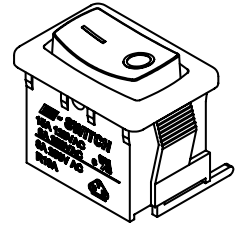
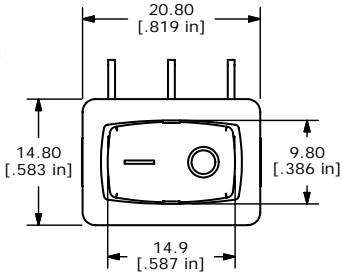
For any questions, you can email us directly:

[sales@integrated-circuit.com](mailto:sales@integrated-circuit.com)

SHEET 1 OF 1

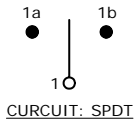


PANEL THICKNESS	X
0.75-1.25	19.2
1.25-2.00	19.4
2.00-3.00	19.8

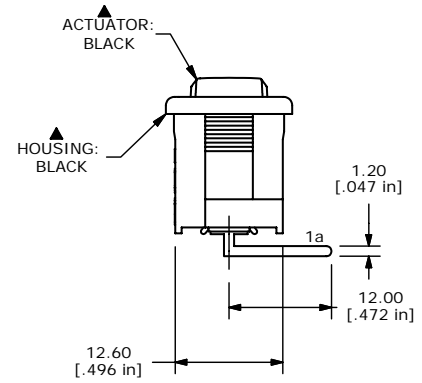
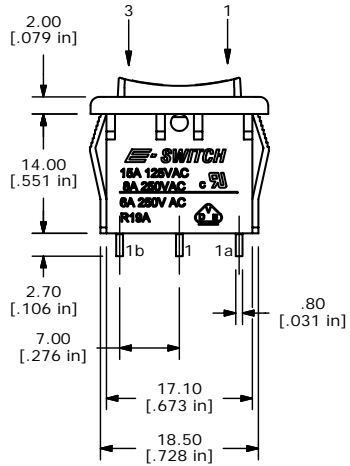


ISOMETRIC

SWITCH FUNCTION		
POS. 1	POS. 2	POS. 3
ON	OFF	ON
1a-1	OPEN	1-1b



CURCUIT: SPDT



- NOTES:
- ALL DIMENSIONS IN MM [INCH]
  - GENERAL TOLERANCE: X.X=±0.4  
X.XX=±0.25
  - TERM. NOS. FOR REF. ONLY
  - RATING: 15A @125VAC;  
8A @250VAC.
  - LAMP VOLTAGE: NO LAMP
  - MATERIAL:  
CONTACT SURFACE: COIN SILVER, SILVER PLATED.  
TERMINAL: COPPER ALLOY W/SILVER PLATE
  - ELECTRICAL LIFE: 10,000 CYCLES
  - CONTACT RESISTANCE: <20 MILLI-OHMS INITIAL
  - DIELECTRIC STRENGTH: >1,500V AC 1 MIN
  - ▲DENOTES CRITICAL PARAMETER.
  - 2002/95/EC (ROHS) COMPLIANT



B	17095	ADDED TERM. NUMBERS	3/13/07	TN
A	14812	RELEASED FOR PRODUCTION	4/6/05	AR
REV	PCR NO	DESCRIPTION	DATE	BY

TITLE R1966DBLKBLKFR				
SCALE 1.5:1	DATE 3/13/2007	DR TN	DWG M309315	REV B

THE INFORMATION CONTAINED IN THIS DOCUMENT IS PROPRIETARY TO E-SWITCH AND IS NOT TO BE COPIED OR TRANSFERRED