

Excellent Integrated System Limited

Stocking Distributor

Click to view price, real time Inventory, Delivery & Lifecycle Information:

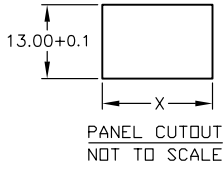
[E-Switch](#)
[R1966DBLKBLKHR](#)

For any questions, you can email us directly:

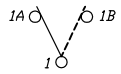
sales@integrated-circuit.com

SHEET OF

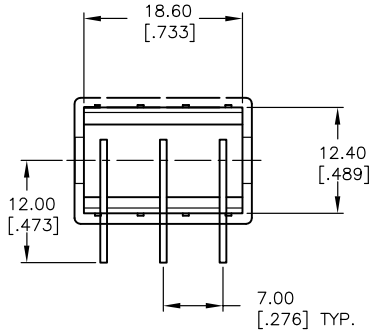
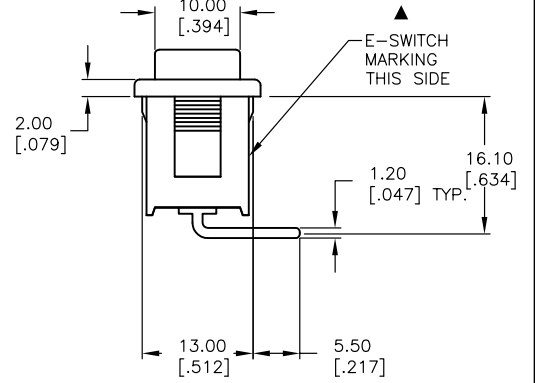
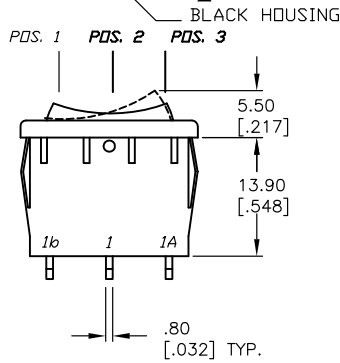
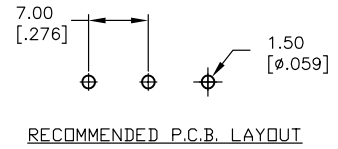
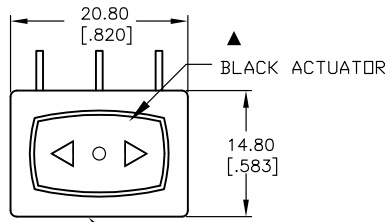
PANEL THICKNESS	X dimension
0.75-1.25 [.030-.049]	19.2-0.1 [.756]
1.25-2.0 [.049-.079]	19.4-0.1 [.764]
2.0-3.0 [.079-.118]	19.8-0.1 [.780]



SWITCH FUNCTION		
POS. 1	POS. 2	POS. 3
ON	OFF	ON
1-1a	OPEN	1-1b



- NOTES:
- ALL DIMENSIONS IN MM [INCH]
 - GENERAL TOLERANCE: X.X=±0.4
X.XX=±0.25
 - TERMINAL NOS. FOR REF ONLY.
 - RATING: 15A @ 125VAC OR 6A @ 250VAC
 - MATERIALS: TERMINALS: SILVER PLATED COPPER ALLOY
CONTACTS: COIN SILVER, SILVER PLATED
 - ELECTRIC LIFE: 10,000 CYCLES
 - CONTACT RESISTANCE: 10 MLLI-OHMS MAX. TYPICAL INITIAL @ 2-4VDC
 - INSULATION RESISTANCE: >1000 MEGA-OHMS
 - DIELECTRIC STRENGTH: >1500 V 1 MINUTE
>3000 V BETWEEN POLES
 - ▲ DENOTES CRITICAL PARAMETER.



E-SWITCH®

TITLE				R1966DBLKBLKHR			
SCALE	DATE	DR	DWG	REV			
1.5:1	9/29/03	AR	M309312	A			

A	13489	RELEASED FOR PRODUCTION	9/29/03	AR
REV.	ECN No.	DESCRIPTION	DATE	CHKD
THE INFORMATION CONTAINED IN THIS DOCUMENT IS PROPRIETARY TO E-SWITCH AND IS NOT TO BE COPIED OR TRANSFERRED				