

## Excellent Integrated System Limited

Stocking Distributor

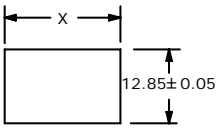
Click to view price, real time Inventory, Delivery & Lifecycle Information:

[E-Switch](#)  
[R1966DBLKBLUIP](#)

For any questions, you can email us directly:

[sales@integrated-circuit.com](mailto:sales@integrated-circuit.com)

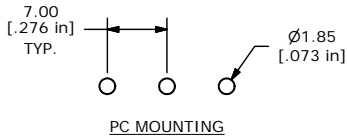
SHEET 1 OF 1



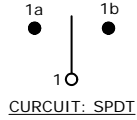
RECOMMENDED PANEL MOUNTING

PANEL THICKNESS	X
0.75-1.25	19.2-19.3
1.25-2.00	19.3-19.4
2.00-3.00	19.5-19.6

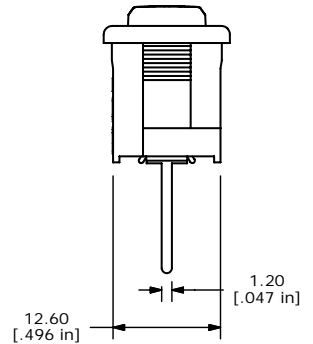
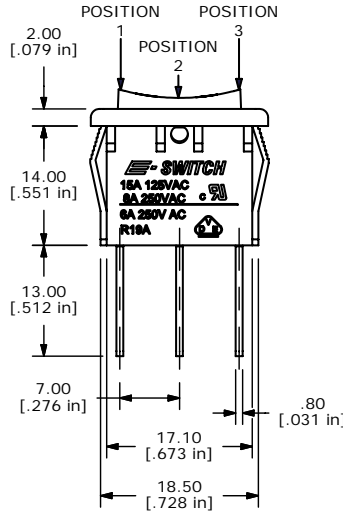
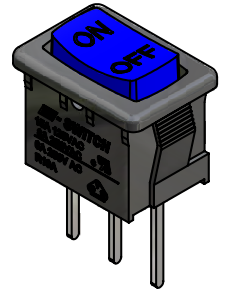
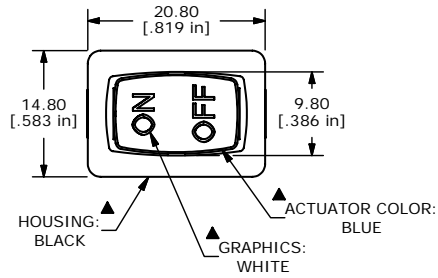
SWITCH FUNCTION		
POS. 1	POS. 2	POS. 3
ON	OFF	ON
1a-1	OPEN	1-1b



PC MOUNTING



CURCUIT: SPDT



- NOTES:
- ALL DIMENSIONS IN MM [INCH]
  - GENERAL TOLERANCE: X.X=±0.4  
X.XX=±0.25
  - TERM. NOS. FOR REF. ONLY
  - RATING: 15A @125VAC;  
8A @250VAC.  
6A @240VAC
  - MATERIAL:  
CONTACT SURFACE: COIN SILVER, SILVER PLATED.  
TERMINAL: COPPER ALLOY W/SILVER PLATE
  - ELECTRICAL LIFE: 10,000 CYCLES
  - CONTACT RESISTANCE: <20 MILLI-OHMS INITIAL
  - DIELECTRIC STRENGTH: >1,500V AC 1 MIN
  - INSULATION RESISTANCE: 1,000 MEGA-OHMS
  - ▲ DENOTES CRITICAL PARAMETER.
  - 2002/95/EC (ROHS) COMPLIANT



TITLE R1966DBLKBLUIP

A	16092	RELEASED FOR PRODUCTION	6/6/06	CT
REV	PCR NO	DESCRIPTION	DATE	BY

THE INFORMATION CONTAINED IN THIS DOCUMENT IS PROPRIETARY TO E-SWITCH AND IS NOT TO BE COPIED OR TRANSFERRED

SCALE 1.5:1	DATE 6/6/2006	DR CT	DWG M309330	REV A
-------------	---------------	-------	-------------	-------