

Excellent Integrated System Limited

Stocking Distributor

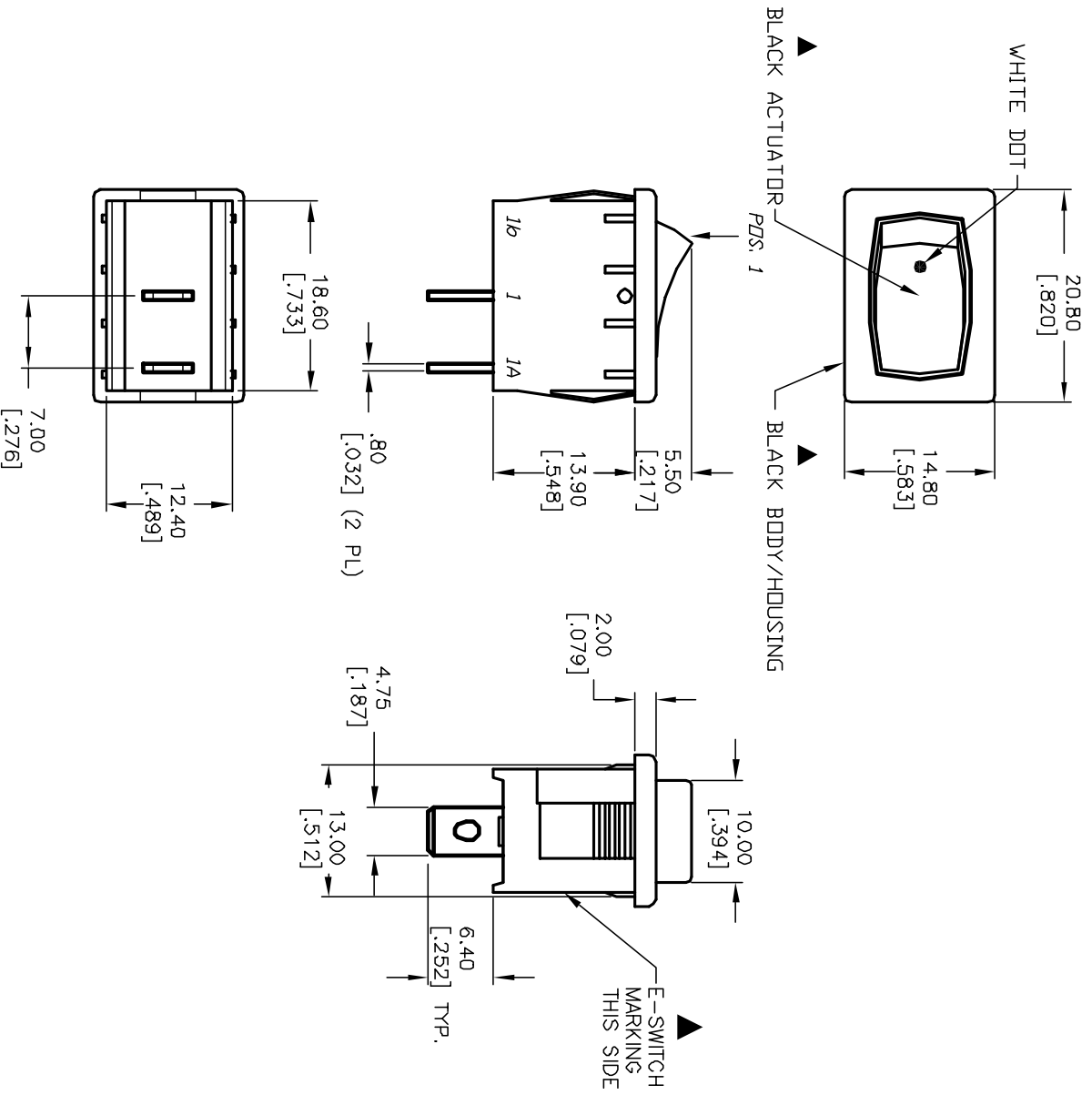
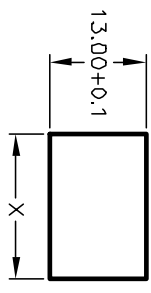
Click to view price, real time Inventory, Delivery & Lifecycle Information:

[E-Switch](#)
[R1966FBLKBLKAF](#)

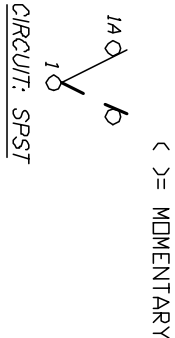
For any questions, you can email us directly:
sales@integrated-circuit.com

SHEET OF

PANEL THICKNESS	X dimension
0.75-1.25 [0.30-0.49]	19.2-21 [7.56]
1.25-2.0 [0.49-0.79]	19.4-21 [7.64]
2.0-3.0 [0.79-1.18]	19.8-21 [7.80]



SWITCH FUNCTION	POS. 1	POS. 2
<DN>	DNF	
1-1a	OPEN	



- NOTES:
1. ALL DIMENSIONS IN MM [INCH]
 2. GENERAL TOLERANCE: X.X=±0.4
X.XX=±0.25
 3. TERMINAL NUMBERS FOR REF ONLY
 4. RATING: 15A @ 125VAC OR
6A @ 250VAC
 5. MATERIALS: TERMINALS: Silver Plated Copper Alloy
CONTACTS: Coin Silver, Silver Plated
 6. ELECTRIC LIFE: 10,000 cycles
 7. CONTACT RESISTANCE: <20 Mega Ω
 8. INSULATION RESISTANCE: >1000 Mega Ω
 9. DIELECTRIC STRENGTH: >1500 V 1 minute
>3000 V between poles

E-SWITCH®

REV.	ECN No.	DESCRIPTION	DATE	CHKD	SCALE	DATE	DR	DWG	REV
A	12693	RELEASED FOR PRODUCTION	1/3/03	CJB	1.5:1	1/3/03	CB	M304196	A
TITLE: R1966F BLK BLK AF THE INFORMATION CONTAINED IN THIS DOCUMENT IS PROPRIETARY TO E-SWITCH AND IS NOT TO BE COPIED OR TRANSMITTED									