

Excellent Integrated System Limited

Stocking Distributor

Click to view price, real time Inventory, Delivery & Lifecycle Information:

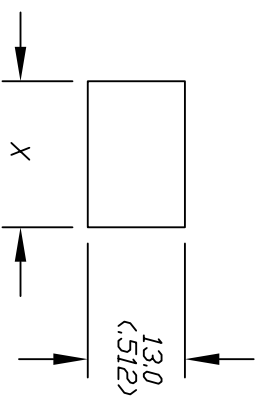
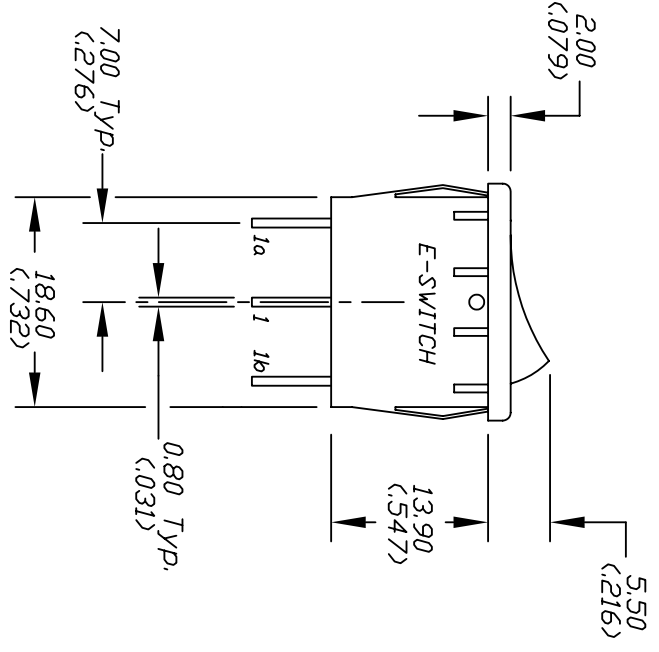
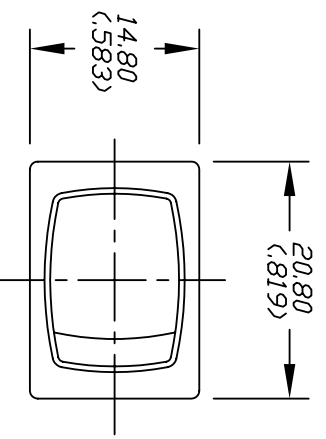
[E-Switch](#)
[R1966IWHTWHTEF](#)

For any questions, you can email us directly:

sales@integrated-circuit.com

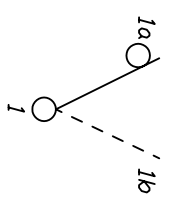
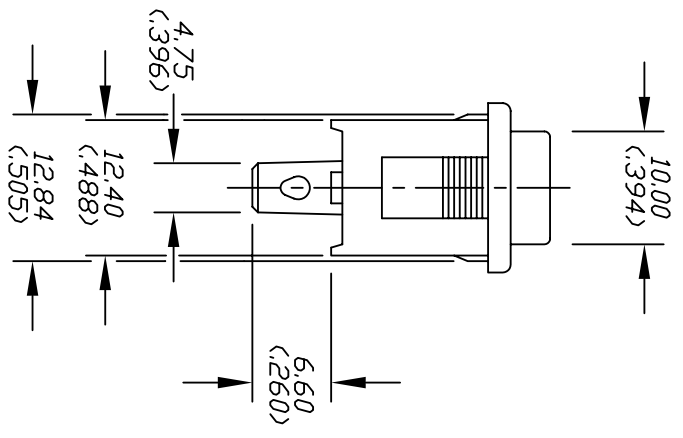
NOTES:

1. ALL DIMENSIONS IN MM (INCHES)
2. TERM. NOS. FOR REF ONLY



RECOMMEND P.C.B. PANEL MOUNTING

PANEL THICKNESS	X
0.75-1.25 (0.030-0.049)	19.2 (0.756)
1.25-2.0 (0.049-0.079)	19.4 (0.764)
2.0-3.0 (0.079-0.118)	19.8 (0.780)



CIRCUIT: SPDT
 CONTACT CONFIGURATION

REV.	DESCRIPTION	DATE	CHKD
A	RELEASED FOR PRODUCTION		

TOLERANCES	
0.0	±0.4
0.00	±0.25

TITLE	SCALE	DATE	DR	DWG	REV
E-SWITCH R1966IWTEF	1.5:1	2/12/98	MM	M301220	A

THE INFORMATION CONTAINED IN THIS DOCUMENT IS PROPRIETARY TO E-SWITCH AND IS NOT TO BE COPIED OR TRANSFERRED